



Digital Display without Auxiliary Power



measuring
•
monitoring
•
analysing



- No auxiliary voltage necessary
- Input:
4-20 mA (current loop)
Pt 100 sensor (3-wire connection)
- Accuracy: $\pm 0.1\%$, ± 1 digit
- Temperature drift:
 $\pm 0.01\%/K$ FS
- t_{max} : $70^{\circ}C$
- Case material:
stainless steel 1.4305
- Display and
decimal point selectable



KOBOLD offices exist in the following countries:

ARGENTINA, AUSTRIA, BELGIUM, BRAZIL, CANADA,
CHINA, FRANCE, GREAT BRITAIN, ITALY, NETHERLANDS,
POLAND, SWITZERLAND, USA, VENEZUELA

KOBOLD Messring GmbH
Nordring 22-24
D-65719 Hofheim/Ts.
☎ (06192) 299-0
Fax (06192) 23398
E-mail: info.de@kobold.com
Internet: www.kobold.com

Model:
LZA



Description

Any 4-20 mA signal can be displayed as a measured variable with the industrial KOBOLD digital display LZA. The instrument operates without auxiliary power and can thus be installed easily at any point in the 4-20 mA signal loop and later on site.

The LZA display is accommodated in a robust stainless steel case with screw cap and is thus able to withstand rough environmental conditions.

Important process variables can be displayed with the LZA near the measuring point.

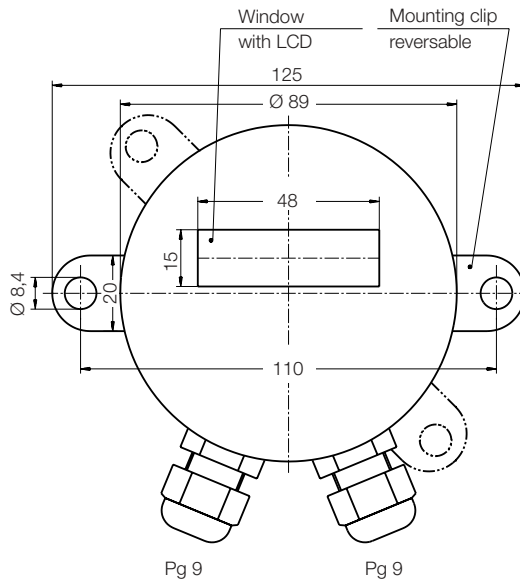
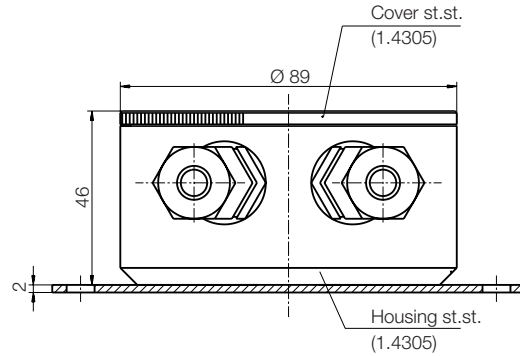
The device is also available as an option with an integrated 2-wire transmitter for Pt 100 connection. The unit of the measured variable and the scaling range of the 3 1/2-segment LCD display can be configured easily on site.

The digital display LZA can also be supplied with M12 plug connections instead of the Pg cable gland.

Technical Details

- Input: 4-20 mA, current loop
Pt 100 sensor, 3-wire connection (compensation to 100 Ω)
- Accuracy display: ±0.1% ± 1 digit
temperature drift: < ±0.01% /K of upper range value
- Display: 7-segment 0 to +1999, 3 1/2 digit
12 mm height
- Calibrating range: zero-point: -1600 to +1400 digit
gain 0-2100 digit
- Service temperature: 0 to +70 °C
- Storage temperature: -20 to +80 °C
- Humidity: 0-95%
non-condensing
- Case material: stainless steel 1.4305
- Dimensions: Ø 89 mm,
height approximately 50 mm
- Clip mounting: fixing centres 110 mm,
2 x boring 8.4 mm
- Electrical connection: 2 x cable gland Pg 9
(option: M12 plug connector)
4-pin spring-loaded terminals
0 to 1.5 mm²
- Output: 4-20 mA (current loop),
voltage drop approximately 3.3 V
- Protection: IP 67
- Noise immunity: EN 50082-2 (industrial)
- Weight: 0.9 kg

Dimensions



Order Details (Example: **LZA-N I 09**)

Model	Description	Input	Electr. connection
LZA-N	Digital display	I = 4-20 mA P = Pt 100	09= Pg 9 12= M12 plug connector