



Hygienic Weld-In Pipes



measuring
•
monitoring
•
analysing



- Hygienic weld-in pipes
EHEDG- and 3-A-certified
sleeves in standard pipe lengths
- p_{max} : 16 bar; t_{max} : 250 °C bar
- Material: stainless steel 1.4404
- Quick installation times
- Hygienic welding
with orbital pipe welding system
- Metallic sealing system
- Mounting length according to
DIN/ISO-T piece



KOBOLD offices exist in the following countries:

**ARGENTINA, AUSTRIA, BELGIUM, BRAZIL, CANADA,
CHINA, FRANCE, GREAT BRITAIN, ITALY, NETHERLANDS,
POLAND, SWITZERLAND, USA, VENEZUELA**

KOBOLD Messring GmbH
Nordring 22-24
D-65719 Hofheim/Ts.
☎ (06192) 299-0
Fax (06192) 23398
E-mail: info.de@kobold.com
Internet: www.kobold.com

Model:
LZE-NR



Description

Increasingly demanding hygiene requirements such as 3A standard and EHEDG guidelines require very high quality standards for mounting sensors. Consistently high quality welding is especially important for adherence to these standards.

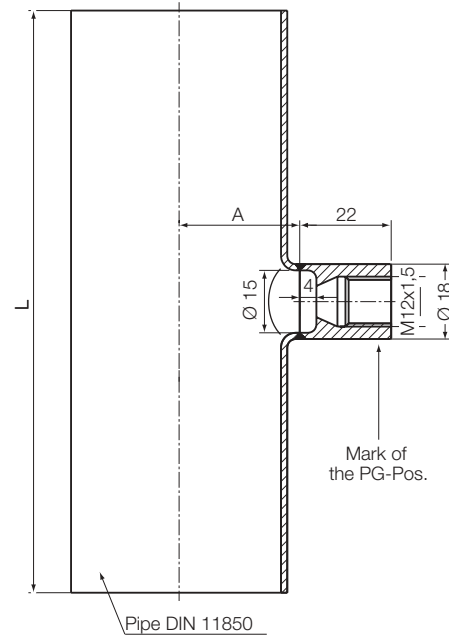
The hygienic weld-in pipes series KOBOLD LZE-NR are a development of the metallic sealing system. The sleeves have already been welded hygienically to the pipe at the factory, as hygienically welding cylindrical sleeves to piping is a difficult and time-consuming task.

The complete mounting position of a sensor can thus be integrated quickly and economically and with high-quality in a plant with an orbital pipe welding unit. Weld-in pipes of series LZE-NR offer critical hygienic advantages, especially for small line nominal widths and on-site installations, when compared with conventional mounting techniques using conventional sleeves.

- Design: pipe length according to DIN 11850
- Temperature range: -50 to 250°C
-50 to 150°C for clamp screwing
- Material: 1.4404, V4A (316L)
- Inside surfaces: average roughness $Ra \leq 0.8 \mu\text{m}$,
option electropolished
- Outer surfaces: mat, glass-bead blasted,
option electropolished
- Tolerances:
DN 15 to DN 40 DN: $\pm 0.3 \text{ mm}$, L: $\pm 1.0 \text{ mm}$
DN 50 DN: $\pm 0.5 \text{ mm}$, L: $\pm 1.0 \text{ mm}$
- Gasket: metallic sealing: 16 bar
With clamp screwing: 6 bar
- Installation of sensor: M12x1.5, metallic sealing;
M12x1.5, clamp screwing,
PEEK ring;
G 1/2, metallic sealing;
G 1, metallic sealing
- Pg position: defined

Dimensions

Sleeve M12x1.5



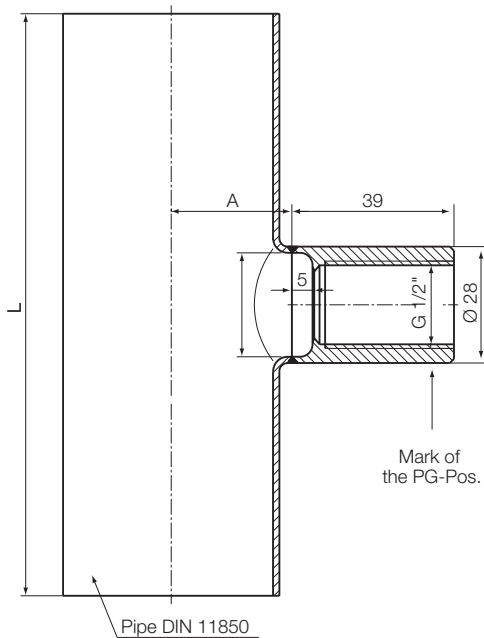
Surface
outer: mat, glass-bead blasted

inner:
 $Ra \leq 0,8$

Dimension table LZE-NR 2...

| Order code | DN | L (mm) | A (mm) |
|-------------|----|--------|--------|
| LZE-NR 2 15 | 15 | 70 | 10 |
| LZE-NR 2 25 | 25 | 100 | 15 |
| LZE-NR 2 40 | 40 | 120 | 22 |
| LZE-NR 2 50 | 50 | 140 | 29 |
| LZE-NR 2 65 | 65 | 160 | 38 |
| LZE-NR 2 80 | 80 | 180 | 46 |

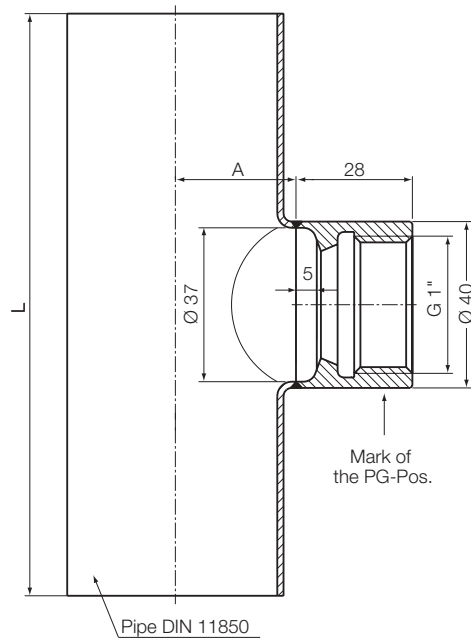
Sleeve G 1/2



Surface
outer: mat, glass-bead blasted

inner: $R_a \leq 0,8$

Sleeve G 1



Surface
outer: mat, glass-bead blasted

inner: $R_a \leq 0,8$

Dimension table LZE-NR 0... (sleeve G 1/2)

| Order code | DN | L (mm) | A (mm) |
|-------------|----|--------|--------|
| LZE-NR 0 25 | 25 | 100 | 15 |
| LZE-NR 0 40 | 40 | 120 | 22 |
| LZE-NR 0 50 | 50 | 140 | 29 |
| LZE-NR 0 65 | 65 | 160 | 38 |
| LZE-NR 0 80 | 80 | 180 | 46 |

Dimension table LZE-NR 1... (sleeve G 1)

| Order code | DN | L (mm) | A (mm) |
|-------------|----|--------|--------|
| LZE-NR 1 40 | 40 | 120 | 22 |
| LZE-NR 1 50 | 50 | 140 | 29 |
| LZE-NR 1 65 | 65 | 160 | 38 |
| LZE-NR 1 80 | 80 | 180 | 46 |

Order Details (Example: LZE-NR 0 15 G)

| Model | Description | Sleeve size | Nominal pipe size | Surface |
|--------|---------------|-------------------------------------|---|---|
| LZE-NR | Weld-in pipes | 0 = G 1/2 1 = G 1 2 = M12x1.5 | 15 = DN 15 (for 2=M12x1.5 only) 25 = DN 25 (not for 1=G 1) 40 = DN 40 50 = DN 50 65 = DN 65 80 = DN 80 | G = glass-bead blasted E = electropolished |

Some references out of the food industry

Breweries

- Miller Brewing Company, USA
- Grolsch Brewery, Netherlands
- Heineken Brewery Zoeterwoude, Netherlands
- Heineken Brewery Den Bosch, Netherlands
- Interbrew Breda, Netherlands
- Brauerei Feldschlösschen AG, Switzerland
- Heineken Breweries, Switzerland

Dairies:

- Hohenloher Molkerei e.G., Germany
- Campina AG, Germany
- Breisgauer Milch GmbH, Germany
- Fromagerie La vache qui rit, France
- Bridel, France
- Danone, France
- Migros Produktions-Betriebe, Switzerland
- Emmi Molkerei, Switzerland
- Swiss Dairy Food, Switzerland

Wine and Sparkling wine:

- Pernod Ricard, France

Fruitjuice/Softdrinks:

- Materne, France
- Pepsi, USA
- Hero Breda, Netherlands
- Nestlé Schweiz AG, Switzerland
- Coca Cola, Switzerland
- Migros Produktions-Betriebe, Switzerland
- Wander AG, Switzerland

Sauces/Soups/Mayonnaise/Delicacies:

- Nestlé AG, Germany
- Best Foods, Germany
- Schwabenstolz, Germany
- Tartex & Dr. Ritter GmbH, Germany
- Bürger Feinkost GmbH, Germany
- Amora Maille, France
- Rivoire et Carré, France
- Masterfoods Oud Beyerland, Netherlands
- Kroon Dinteloord, Netherlands
- Migros Produktions-Betriebe, Switzerland
- Maggi AG, Switzerland
- Thommy, Switzerland
- Knorr Nahrungsmittel, Switzerland

Farinaceous products/Potatoe products/ Pastrie products:

- BSB Nahrungsmittel, Germany
- Eto Nahrungsmittel, Germany
- Buck Eierteigwarenfabrik KG, Germany
- Hügli Nahrungsmittel GmbH, Germany
- Ulmer Spatz, Germany
- Lu, France
- Biscuiterie Buhler, France
- Vico, France
- Rivoire et Carré, France
- Lustucru, France
- Pain Clément, France
- La toque angevine, France
- Foremost Foods, USA
- Red Star Yeast, USA
- Happy's Potato Chips, USA
- Indybake Products, USA
- Bühler Uzwil, Switzerland

Salt/Sugar:

- Südwestdeutsche Salzwerke AG, Germany
- Beghin Say, France

Chocolate/Sweets:

- Gubor Schokoladenfabrik GmbH, Germany
- Schokinag-Schokolade Ind., Germany
- Vivil A. Müller, Germany
- Nestlé, France
- Cadbury France, France
- Nestlé Schweiz AG
- Wander AG, Switzerland

Fruit/Greens:

- Salade Minute, France
- DSF GmbH, Germany

Meat processing/Fish:

- Turbot, France
- Houat, France
- Migros Produktions Betriebe, Switzerland

Animal feed:

- Raiffeisen Kraftfutterwerk Süd GmbH, Germany