



## Pressure Transmitter with Digital Display



measuring  
•  
monitoring  
•  
analysing

PDA

Pressure

PDA-15



PDA-25  
PDA-35

- Measuring range:  
-1...0 to 0...400 bar
- Temperature:  
max. 80°C
- Accuracy:  
±0,5% f.s. (±1,0% f.s.)
- Housing:  
stainless steel
- Connection:  
G 1/4, G 1/2 male,  
1/4 NPT or 1/2 NPT



KOBOLD companies worldwide:

ALGERIA, ARGENTINA, AUSTRALIA, AUSTRIA, BELGIUM, BULGARIA, CANADA, CHILE, CHINA, COLUMBIA, CZECHIA, DOMINICAN REPUBLIC, EGYPT, FRANCE, GERMANY, GREAT BRITAIN, HUNGARY, INDIA, INDONESIA, ITALY, MALAYSIA, MEXICO, MOROCCO, NETHERLANDS, PERU, PHILIPPINES, POLAND, ROMANIA, SINGAPORE, SLOVAKIA, SOUTH KOREA, SPAIN, SWITZERLAND, TAIWAN, THAILAND, TUNISIA, USA, VENEZUELA, VIETNAM

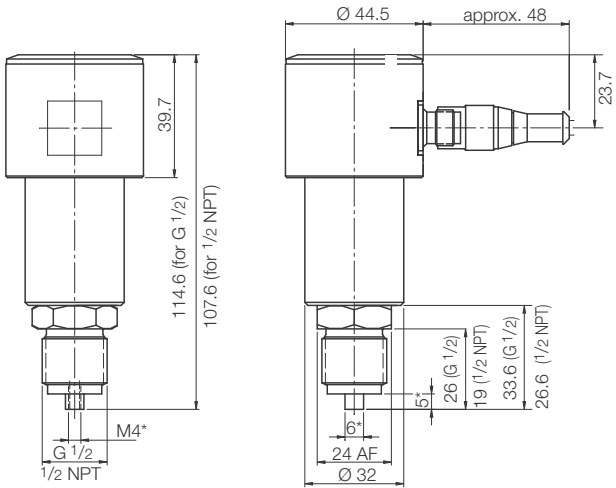
KOBOLD Messring GmbH  
Nordring 22-24  
D-65719 Hofheim/Ts.  
☎ Head Office:  
+49(0)6192 299-0  
☎ Sales DE:  
+49(0)6192 299-500  
☎ +49(0)6192 299-23398  
info.de@kobold.com  
www.kobold.com

**Description**

KOBOLD pressure transmitter series PDA are cost effective electronic pressure transmitters with digital indication of actual pressure. An analogue output (0)-20 mA is available for remote transmission of the measured value. The device is also available with a switch output as well.

A piezzo resistive ceramic sensor is used. The units can be used where high switching accuracy is needed. Long term stability, repeatability and the compact and robust design makes them ideal for use in OEM applications.

**Dimensions**



\* no nipple on NPT thread  
(dimensions G 1/4 on request)

**Applications**

- Compressors
- Machinery industry
- Pumps
- Installations

**Technical Details**

- Housing: stainless steel 1.4305
- Connection: G 1/4 or G 1/2 male, st. st. 1.4404  
option: 1/4 or 1/2 NPT  
others on request
- Gasket: FPM (option: EPDM)
- Sensor element: piezzo resistive ceramic cell
- Indication: 3-digit LED, 7 mm digit height
- Resolution: max. 0.01 bar (depending on measuring range and measured value)
- Max. temperature: media: -20...+80 °C  
ambient: -20...+80 °C
- Max. over pressure: up to 60 bar: 3 times  
from 100 bar: 2 times full scale  
400 bar: 1.5 times of the range
- Supply voltage: 24 V<sub>DC</sub> ± 20 %
- Power consumption: approx. 120 mA (without switching output)
- Electr. connection: plug M12x1
- Settings (standard): programmable via 2 buttons:
  - switching point
  - hysteresis
  - 4-20 mA or 0-20 mA
  - start point / end point (current)
  - filter
  - zero point
  - security code
- Overrange/underrange indication: on LED-display
- Load: max. 500 Ω
- Switching output: PNP or NPN semiconductor (factory set),  
max. 300 mA, short-circuit proof  
N/O or N/C, programmable
- Contact: 1 LED
- Output indicator: 1 LED
- ON/OFF-switch. delay: 0.5...99.5 s (separately adjustable)
- Response time: 0.5 s
- Accuracy: ±0.5% f. s. (±1% of full scale for measuring range: ≤1.6 bar)
- Protection: IP 65

**Order Details** (Example: PDA-15 3 R2 C315)

Model	Description	Output	Electrical connection	Mechanical connection	Measuring range*
PDA-	pressure transmitter with digital display	15= standard 0(4)-20 mA 25= 0(4)-20 mA, PNP-switching output 35= 0(4)-20 mA, NPN-switching output	3= plug M12x1	R2 = G 1/4 R4 = G 1/2 N2 = 1/4 NPT N4 = 1/2 NPT	C315= -1 to 0 bar B025= 0 to 1 bar B035= 0 to 1.6 bar B045= 0 to 2.5 bar B055= 0 to 4 bar B065= 0 to 6 bar B075= 0 to 10 bar B085= 0 to 16 bar A095= 0 to 25 bar A105= 0 to 40 bar A115= 0 to 60 bar A125= 0 to 100 bar A135= 0 to 160 bar A145= 0 to 250 bar A155= 0 to 400 bar

**Additional: Electrical Connection**

Description	Model
M12x1 socket with 2 m cable	ZUB-KAB-12K002
M12x1 socket with quickon-plug	ZUB-KAB-12Q000

\*PSI on request