



Elektronic Pressure Switch



measuring
•
monitoring
•
analysing

PDD



PDD-15
PDD-25

PDD-55
PDD-75

- Switching range:
-1...0 to 0...400 bar
- Temperature:
max. 80 °C
- Accuracy:
±0.5 % f.s. (±1.0 % f.s.)
- Housing material:
stainless steel
- Connection:
G ¼, G ½ male,
¼ NPT or ½ NPT



Pressure

KOBOLD companies worldwide:

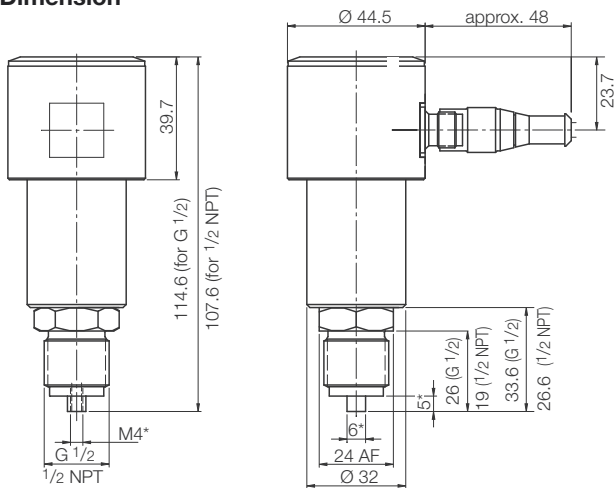
ALGERIA, ARGENTINA, AUSTRALIA, AUSTRIA, BELGIUM, BULGARIA, CANADA, CHILE, CHINA, COLUMBIA, CZECHIA, DOMINICAN REPUBLIC, EGYPT, FRANCE, GERMANY, GREAT BRITAIN, HUNGARY, INDIA, INDONESIA, ITALY, MALAYSIA, MEXICO, MOROCCO, NETHERLANDS, PERU, PHILIPPINES, POLAND, ROMANIA, SINGAPORE, SLOVAKIA, SOUTH KOREA, SPAIN, SWITZERLAND, TAIWAN, THAILAND, TUNISIA, USA, VENEZUELA, VIETNAM

KOBOLD Messring GmbH
Nordring 22-24
D-65719 Hofheim/Ts.
☎ Head Office:
+49(0)6192 299-0
☎ Sales DE:
+49(0)6192 299-500
☎ +49(0)6192 299-23398
info.de@kobold.com
www.kobold.com

Description

KOBOLD pressure sensors/switches series PDD are cost effective electronic pressure switches with digital indication of actual pressure. Two switch points, on/off-switch delay and hysteresis are within the measuring range programmable. A piezzo resistive ceramic sensor is used. The units can be used where high switching accuracy is needed. Long term stability, repeatability and the compact and robust design makes them ideal for use in OEM applications.

Dimension



* no nipple on NPT thread
(dimensions G 1/4 on request)

Applications

- Compressors
- Machinery industry
- Pumps
- Installations

Technical Details

- Housing: stainless steel 1.4305
- Connection: G 1/4 or G 1/2 male stainless steel 1.4404
option 1/4 or 1/2 NPT others on request
- Gasket: FPM (option: EPDM)
- Sensor element: piezzo resistive ceramic cell
- Indication: 3-digit LED, 7 mm
- Resolution: max. 0.01 bar
(depending on measuring range and measuring value)
- Max. temperature: media: -20...+80°C
ambient: -20...+80°C
- Max. over pressure: up to 60 bar: 3 times
from 100 bar: 2 times of the range
400 bar: 1.5 times of the range
- Supply voltage: 24 V_{DC} ± 20%
- Power consumption: approx. 100 mA
(without switching output)
- Electrical connection: plug M12x1
- Switching output: PNP or NPN semiconductor, max. 300 mA, short-circuit-proof
- Contact: N/O or N/C programmable
- Switch point adjustment: programmable via 2 buttons
- Output indicator: 1 (2) LED
- Hysteresis: adjustable via 2 buttons
- ON/OFF switching delay: 0.5...99.5 (separately adjustable)
- Response time: 0.5 s
- Accuracy: ±0,5% f.s. (±1.0% of full scale for measuring range: ≤ 1.6 bar)
- Protection: IP 65

Order Details (Example: PDD-153 R2 C315)

Model	Description	Output	Electrical connection	Mechanical connection	Measuring range*
PDD-	electronic pressure switch made of stainless steel	15 = 1x PNP-switching output 25 = 1x NPN-switching output 55 = 2x PNP-switching output 75 = 2x NPN-switching output	3=plug M12x1	R2=G 1/4 R4=G 1/2 N2=1/4 NPT N4=1/2 NPT	C315= -1 to 0 bar B025= 0 to 1 bar B035= 0 to 1.6 bar B045= 0 to 2.5 bar B055= 0 to 4 bar B065= 0 to 6 bar B075= 0 to 10 bar B085= 0 to 16 bar A095= 0 to 25 bar A105= 0 to 40 bar A115= 0 to 60 bar A125= 0 to 100 bar A135= 0 to 160 bar A145= 0 to 250 bar A155= 0 to 400 bar

Additional: Electrical connection

Description	Model
M12x1 socket with 2 m cable	ZUB-KAB-12K002
M12x1 socket with Quickon-plug	ZUB-KAB-12Q000

*PSI on request