



Magnetic Level Switches for Liquids



measuring
•
monitoring
•
analysing

N01-N20



- Switch points: max. 4
- p_{\max} : 100 bar; t_{\max} : 150 °C
- Connection:
G 1/8, G 3/8, G 1/2, G1 male,
special connections
- Material:
Stainless steel, brass,
PVC-U, PP, PTFE

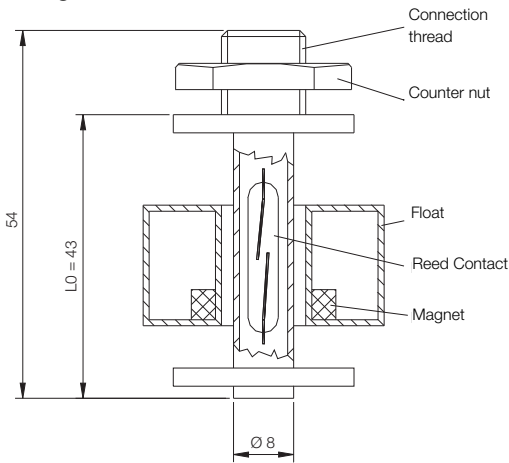


KOBOLD companies worldwide:

ARGENTINA, AUSTRIA, BELGIUM, BULGARIA, CANADA, CHILE, CHINA, COLUMBIA, CZECHIA,
DOMINICAN REPUBLIC, EGYPT, FRANCE, GERMANY, GREAT BRITAIN, HUNGARY, INDIA, INDO-
NESIA, ITALY, MALAYSIA, MEXICO, NETHERLANDS, PERU, POLAND, ROMANIA, SINGAPORE,
SOUTH KOREA, SPAIN, SWITZERLAND, TAIWAN, THAILAND, TUNISIA, USA, VIETNAM

KOBOLD Messring GmbH
Nordring 22-24
D-65719 Hofheim/Ts.
Head Office:
+49(0)6192 299-0
+49(0)6192 23398
info.de@kobold.com
www.kobold.com

Design



Description

Magnetic level switches are used for the monitoring and control of liquid levels in vessels. Magnetic level switches are manufactured to customer specification.

An overview of types available with minimum lengths of measuring tube is set out on the following pages. Please refer to this overview when placing your order. Furthermore any limits can be specified within the limits found in the brochure.

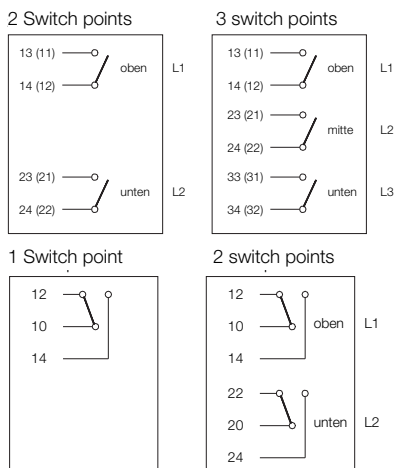
For example:

- Longer measuring tube
- Longer connection cable
- Different cable materials
- Several contacts and different contact operations
- Larger connection screwing with electrical terminal box
- Different materials

Number code for cable connection

N/O contact
or N/C contact

Changeover
contact



Method of Operation

Kobold magnetic float switches are fitted with a hermetically sealed contact which is situated in the tube.

The float sliding on the tube contains a ring magnet whose magnetic field switches the sealed contact in a noncontacting fashion. The sealed contacts are available as N/O, N/C or changeover contacts.

The float sliding up and down on the liquid is the only moving part in the Kobold magnetic float switches.

Advantages

- Simple installation
- Long electrical service life due to sealed contacts
- High-degree of operational reliability with air gap between measuring tube and fl
- Installation in top or bottom of vessel
- Several levels can be monitored with one float
- Open/close function or changeover contact available

Model Codes

	N07	P	R10	SÖXX	1P
Level switch float no.	_____	_____	_____	_____	_____
Measuring tube material E=st. steel; M=brass; P=PVC; T=PTFE	_____	_____	_____	_____	_____
Process connection R05=G 1/8; R10=G 3/8; R15=G 1/2; R25=G 1; PG7 =Pg7 1.1 ... 9.5 = connection box with thread or flange connection	_____	_____	_____	_____	_____
No. of contacts and function* S=N/O contact, Ö=N/C contact, W=changeover contact; X=no contact	_____	_____	_____	_____	_____
Electr. connection 00=with box 1P=1 m PVC-cable 1S=1 m Silicone-cable 1L=1 m PVC-cable (stock-type)	_____	_____	_____	_____	_____

***Please note:**

The contact operation refers to a **rising level**.
Simply link letters for several contacts.
The first letter represents the topmost contact, the second letter the second contact from the top, and so on. The position of the contacts, measured from the sealing edge of the connection screwing, must also be specified.

L1 = highest contact (mm) from the top (sealing edge)
L2 = second contact (mm) from the top (sealing edge)
and so forth



Float designs

Model	Form	Materials	Float outside-Ø [mm]	Height [mm]	Bore Hole Ø [mm]	Min. Liquid Density [kg/dm³]	Max. temperature	Npminal pressure at 20 °C
N01	Cylinder solid material	NBR	19	22	10	>0,8	80 °C	10 bar
N02	Cylinder hollow	Polypropylene	26	19	10	>0,8	90 °C	3 bar
N03	Cylinder hollow	PVC-U	26	19	10	>0,9	55 °C	3 bar
N04	Cylinder hollow	Stainless steel 1.4571	30	30	9	>0,8	90 °C	15 bar
N05	Cylinder hollow	Polypropylene	42	38	14	>0,7	90 °C	5 bar
N06 ¹⁾	Cylinder solid material	Polypropylene	40	20	14	>0,9	90 °C	100 bar
N07	Cylinder hollow	PVC-U	42	38	14	>0,9	55 °C	3 bar
N08	Cylinder hollow	Stainless steel 1.4571	42	42	15	>0,8	150 °C	20 bar
N10	Ball hollow	Stainless steel 1.4571	52	52	15	>0,7	150 °C	30 bar
N11	Ball hollow	Stainless steel 1.4571	52	52	15	>0,7	150 °C	3 bar
N12	Cylinder hollow	PTFE	53	75	13	>0,9	150 °C	3 bar
N16	Cylinder hollow	PVC-U	60	60	18	>0,8	55 °C	3 bar
N20	Ball hollow	Stainless steel 1.4571	105	105	23	>0,5	150 °C	15 bar

¹⁾ One float is required for each switch point.
For all other floats two contacts can be operated with one float.

Connection cable

PVC: max. 70 °C (standard)

Silicone: max. 150 °C

Please note max.-values of every single model

Technical Details

Hysteresis: 3-5 mm difference in level

Switch point distance:

- between contact 1 and 2 and contact 3 and 4: > 40 mm depending on height of float

- between contact 2 and 3: height of float +15 mm

Non-standard versions available

Contact protection relays

Model MSR 10 for single contacts

Model MSR 20 for single contacts

Model MSR 11 for twin contact, catching

Supplementary devices:

1. Contact protection relays

We recommend the use of contact protection relays in conjunction with sealed contacts.

Contact protection relays have the following advantages:

- No contact overloads arising from sparking and high currents, which can, for example, be caused by self-induced e.m.f.'s when switching solenoid valves.
- Float switches are electrically isolated from the high voltage power supply system.
- Protection for persons who come into contact with liquids according to VDE 0100.

2. Damping tube for agitated liquids

Float switches with damping tube for agitated or dirty liquids can be supplied upon request.

3. Temperature monitoring

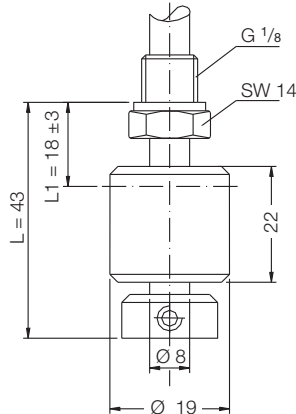
Float switches with integrated temperature switch, fixed switch point between 60°C and 150°C upon request.

Option: Pt 100 available

4. Mounting instructions

Float switches can also be fitted in the bottom of vessels.
Important: The contact operation is then reversed.

Mini Switches



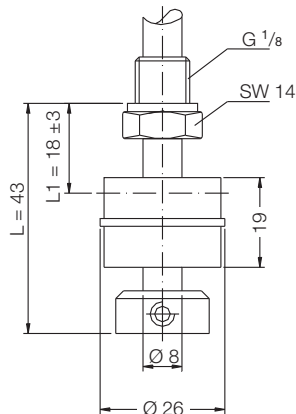
Contact operation with rising level:

N/O contact: 230 V_{AC/DC} / 0,5 A / 10 VA
 N/C contact: 100 V_{AC/DC} / 0,25 A / 3 VA
 Changeover contact: 100 V_{AC/DC} / 0,25 A / 3 VA
 Cable length: 1 m NYLHY
 Installation position: vertical ±30°
 Protection type: IP 64
 Max. length of meas. tube: 1500 mm
 Max. number of contacts: N/O contact/N/C contact max. 3 x off
 Changeover cont. max. 2 x off,
 Specifications refer to a medium density of 1,0 kg/dm³

Connection heads: see page 10-11
 Switch point min. distance from end of meas. tube: 30 mm ±3 (for special length)

Model	Materials		Nominal pressure at 20 °C [bar]	Max. temperature [°C]		Contact number and function	Min. length of meas. tube [mm]	Liquid density [kg/dm ³]
	Measuring tube	Float		PVC cable	Silikon cable			
N01-P R05 S_____	PVC-U	NBR	3	55	55	1 N/O contact	43	>0,8
N01-P R05 Ö_____	PVC-U	NBR	3	55	55	1 N/C contact	43	>0,8
N01-P R05 W_____	PVC-U	NBR	3	55	55	1 changeover c.	43	>0,8
N01-M R05 S_____	Brass	NBR	10	70	80	1 N/O contact	43	>0,8
N01-M R05 Ö_____	Brass	NBR	10	70	80	1 N/C contact	43	>0,8
N01-M R05 W_____	Brass	NBR	10	70	80	1 changeover c.	43	>0,8
N01-E R05 S_____	1.4571	NBR	10	70	80	1 N/O contact	43	>0,8
N01-E R05 Ö_____	1.4571	NBR	10	70	80	1 N/C contact	43	>0,8
N01-E R05 W_____	1.4571	NBR	10	70	80	1 changeover c.	43	>0,8

Mini Switches



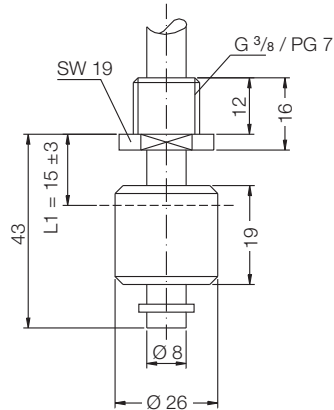
Kontaktfunktion bei steigendem Niveau:

N/O contact: 230 V_{AC/DC} / 0,5 A / 10 VA
 N/C contact: 100 V_{AC/DC} / 0,25 A / 3 VA
 Changeover contact: 100 V_{AC/DC} / 0,25 A / 3 VA
 Cable length: 1 m NYLHY
 Installation position: vertical ±30°
 Protection type: IP 64
 Max. length of meas. tube: 1500 mm
 Max. number of contacts: N/O contact/N/C contact max. 3 x off
 Changeover cont. max. 2 x off,
 Specifications refer to a medium density of 1,0 kg/dm³

Connection heads: see page 10-11
 Switch point min. distance from end of meas. tube: 30 mm ±3 (for special length)

Model	Materials		Nominal pressure at 20 °C [bar]	Max. temperature [°C]		Contact number and function	Min. length of meas. tube [mm]	Liquid density [kg/dm ³]
	Measuring tube	Float		PVC cable	Silikon cable			
N02-M R05 S_____	Brass	Polypropylene	3	70	90	1 N/O contact	43	>0,8
N02-M R05 Ö_____	Brass	Polypropylene	3	70	90	1 N/C contact	43	>0,8
N02-M R05 W_____	Brass	Polypropylene	3	70	90	1 changeover c.	43	>0,8
N02-E R05 S_____	1.4571	Polypropylene	3	70	90	1 N/O contact	43	>0,8
N02-E R05 Ö_____	1.4571	Polypropylene	3	70	90	1 N/C contact	43	>0,8
N02-E R05 W_____	1.4571	Polypropylene	3	70	90	1 changeover c.	43	>0,8

Mini Switches



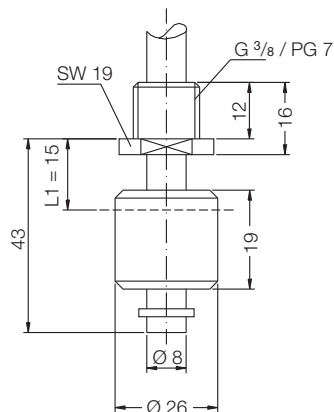
Contact operation with rising level:

N/O contact: 230 V_{AC/DC} / 0,5 A / 10 VA
 N/C contact: 100 V_{AC/DC} / 0,25 A / 3 VA
 Changeover contact: 100 V_{AC/DC} / 0,25 A / 3 VA
 Cable length: 1 m LIYY
 Installation position: vertikal ±30°
 Protection type: IP 64
 Thread: R10 = G 3/8 oder PG7
 Max. length of meas. tube: 1500 mm
 Max. number of contacts: N/O contact/N/C contact max. 3 x off
 Changeover cont. max. 2 x off,
 Specifications refer to a medium density of 1,0 kg/dm³

Connection head: see page 10-11
 Switch point min. distance from end of meas. tube: 30 mm ±3
 (for special length)

Model	Materials		Nominal pressure at 20°C [bar]	Max. temperature [°C]	Contact number and function	Min. length of meas. tube [mm]	Liquid density [kg/dm ³]
	Measuring tube	Float					
N03-P PG7 S_____	PVC-U	PVC-U	3	55	1 N/O contact	43	>0,9
N03-P PG7 Ö_____	PVC-U	PVC-U	3	55	1 N/C contact	43	>0,9
N03-P PG7 W_____	PVC-U	PVC-U	3	55	1 changeover c.	43	>0,9
N03-M PG7 S_____	PVC-U	PVC-U	3	55	1 N/O contact	43	>0,9
N03-M PG7 Ö_____	PVC-U	PVC-U	3	55	1 N/C contact	43	>0,9
N03-M PG7 W_____	PVC-U	PVC-U	3	55	1 changeover c.	43	>0,9

Mini Switches



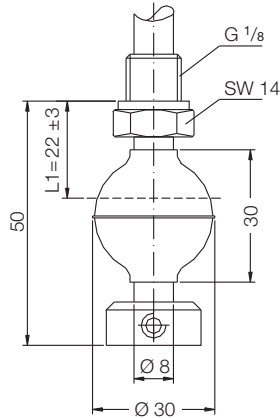
Contact operation with rising level:

N/O contact: 230 V_{AC} / 0,5 A / 10 VA
 N/C contact: 230 V_{AC} / 0,5 A / 10 VA
 Changeover contact: 48 V_{AC} / 0,25 A / 3 VA
 Cable length: 1 m LIYY
 Installation position: vertikal ±30°
 Thread: R10 = G 3/8 oder PG7
 Protection type: IP 64
 Max. length of meas. tube: 43 mm
 Max. number of contacts: N/O contact/N/C contact max. 3 x off
 Changeover cont. max. 2 x off,
 Specifications refer to a medium density of 1,0 kg/dm³

Connection head: see page 10-11
 Switch point min. distance from end of meas. tube: 22 mm

Model	Materials		Nominal pressure at 20°C [bar]	Max. temperature [°C]	Contact number and function	Min. length of meas. tube [mm]	Liquid density [kg/dm ³]
	Measuring tube	Float					
N03-P PG7 S_____	PVC-U	PVC-U	3	55	1 N/O contact	43	>0,9
N03-P PG7 Ö_____	PVC-U	PVC-U	3	55	1 N/C contact	43	>0,9
N03-P PG7 W_____	PVC-U	PVC-U	3	55	1 changeover c.	43	>0,9
N03-P PG7 S_____	PVC-U	PVC-U	3	55	1 N/O contact	43	>0,9
N03-P PG7 Ö_____	PVC-U	PVC-U	3	55	1 N/C contact	43	>0,9
N03-P PG7 W_____	PVC-U	PVC-U	3	55	1 changeover c.	43	>0,9

Mini Switches

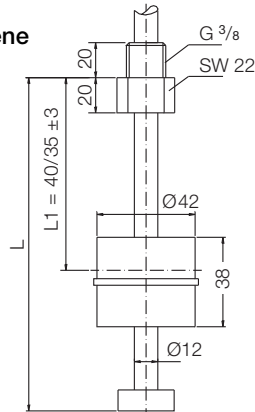


Contact operation with rising level:

N/O contact:	230 V _{AC/DC} / 0,5 A / 10 VA
N/C contact:	100 V _{AC/DC} / 0,25 A / 3 VA
Changeover contact:	100 V _{AC/DC} / 0,25 A / 3 VA
Cable length:	1 m NYLHY
Installation position:	vertical ±30°
Protection type:	IP 64
Max. length of meas. tube:	1500 mm
Max. number of contacts:	N/O contact / N/C contact max. 3 x off, Changeover contacts max. 2 x off
	Specifications refer to a medium density of 1,0 kg/dm ³
Connection heads:	see page 10-11
Switch point min. distance from end of meas. tube:	
(for special length)	35 mm ±3 (N04-E) 30 mm ±3 (N04-M)

Model	Materials		Nominal pressure at 20 °C [bar]	Max. temperature [°C]		Contact number and function	Min. length of meas. tube [mm]	Liquid density [kg/dm ³]
	Measuring tube	Float		PVC cable	Silicone cable * special design			
N04-M R05 S_____	Brass	1.4571	15	70	90 (130*)	1 N/O contact	50	>0,8
N04-M R05 Ö_____	Brass	1.4571	15	70	90 (130*)	1 N/C contact	50	>0,8
N04-M R05 W_____	Brass	1.4571	15	70	90 (130*)	1 changeover c.	50	>0,8
N04-E R05 S_____	1.4571	1.4571	15	70	90 (130*)	1 N/O contact	50	>0,8
N04-E R05 Ö_____	1.4571	1.4571	15	70	90 (130*)	1 N/C contact	50	>0,8
N04-E R05 W_____	1.4571	1.4571	15	70	90 (130*)	1 changeover c.	50	>0,8

**Cylindrical float
made of polypropylene
or PVC**

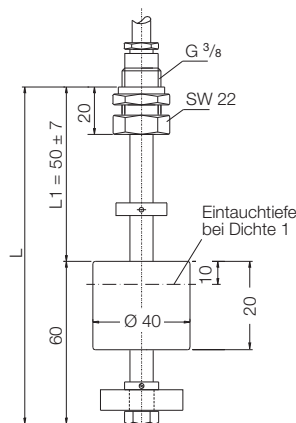


Contact operation with rising level:

- N/O contact: 230 V_{AC} / 1 A / 60 VA
- N/C contact: 230 V_{AC} / 1 A / 60 VA
- Changeover contact: 120 V_{AC} / 1 A / 60 VA
- Cable length: 1 m NYLHY
- Installation position: vertical ±30°
- Protection type: IP 65
- Max. length of meas. tube: Brass/st. steel: 6 m
PVC-U: 5 m
- Max. number of contacts: N/O contact / N/C contact
max. 4 x off, Changeover
contacts max. 3 x off
Specifications refer to a
medium density of 1,0 kg/dm³
- Connection heads: see page 10-11
- Switch point min. distance from end of meas. tube:
(for special length) 35 mm ±3 (N05)
40 mm ±3 (N07)

Model	Materials		Nominal pressure at 20 °C [bar]	Max. temperature [°C]		Contact number and function	Min. length of meas. tube [mm]	Liquid density [kg/dm ³]
	Measuring tube	Float		PVC cable	Silicone cable			
N05-M R10 S_____	Brass	Polypropylene	5	70	90	1 N/O contact	100	>0,7
N05-M R10 Ö_____	Brass	Polypropylene	5	70	90	1 N/C contact	100	>0,7
N05-M R10 W_____	Brass	Polypropylene	5	70	90	1 changeover c.	100	>0,7
N05-E R10 S_____	1.4571	Polypropylene	5	70	90	1 N/O contact	100	>0,7
N05-E R10 Ö_____	1.4571	Polypropylene	5	70	90	1 N/C contact	100	>0,7
N05-E R10 W_____	1.4571	Polypropylene	5	70	90	1 changeover c.	100	>0,7
N07-P R10 S_____	PVC-U	PVC-U	3	55	55	1 N/O contact	100	>0,9
N07-P R10 Ö_____	PVC-U	PVC-U	3	55	55	1 N/C contact	100	>0,9
N07-P R10 W_____	PVC-U	PVC-U	3	55	55	1 changeover c.	100	>0,9

High-pressure applications

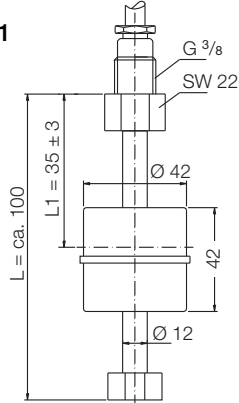


Contact operation with rising level:

- N/O contact: 230 V_{AC} / 1 A / 60 VA
- N/C contact: 230 V_{AC} / 1 A / 60 VA
- Changeover contact: 230 V_{AC} / 1 A / 60 VA
- Cable length: 1 m NYLHY
- Installation position: vertical ±0°
- Thread: R10 = G 3/8 or PG7
- Protection type: IP 65
- Max. length of meas. tube: 6 mm
- Max. number of contacts: N/O contact / N/C contact
max. 4 x off, Changeover
contacts max. 3 x off
Specifications refer to a
medium density of 1,0 kg/dm³
- Connection heads: see page 10-11
- Switch point min. distance from end of meas. tube: 50 mm ±7

Model	Materials		Nominal pressure at 20 °C [bar]	Max. temperature [°C]		Contact number and function	Min. length of meas. tube [mm]	Liquid density [kg/dm ³]
	Measuring tube	Float		PVC cable	Silicone cable			
N06-M R10 S_____	Brass	Polypropylene	100	70	90	1 N/O contact	100	>0,9
N06-M R10 Ö_____	Brass	Polypropylene	100	70	90	1 N/C contact	100	>0,9
N06-M R10 W_____	Brass	Polypropylene	100	70	90	1 changeover c.	100	>0,9
N06-E R10 S_____	1.4571	Polypropylene	100	70	90	1 N/O contact	100	>0,9
N06-E R10 Ö_____	1.4571	Polypropylene	100	70	90	1 N/C contact	100	>0,9
N06-E R10 W_____	1.4571	Polypropylene	100	70	90	1 changeover c.	100	>0,9

Cylindrical float in stainless steel 1.4571



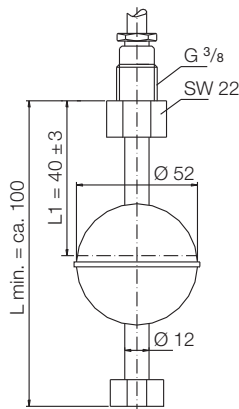
Contact operation with rising level:

Material:
 Measuring tube: brass or stainless steel 1.4571
 Float: stainless steel 1.4571
 N/O contact: 230 V_{AC} / 1 A / 60 VA
 N/C contact: 230 V_{AC} / 1 A / 60 VA
 Changeover contact: 230 V_{AC} / 1 A / 60 VA
 Cable length: 1 m LIYY
 Installation position: vertical ±30°
 Protection type: IP 65
 Max. length of meas. tube: 6 mm
 Max. number of contacts: N/O contact / N/C contact max. 4 x off, Changeover contacts max. 3 x off
 Specifications refer to a medium density of 1,0 kg/dm³

Connection heads: see page 10-11
 Switch point min. distance from end of meas. tube: (for special length) 45 mm ±3

Model	Materials		Nominal pressure at 20°C [bar]	Max. temperature [°C]		Contact number and function	Min. length of meas. tube [mm]	Liquid density [kg/dm ³]
	Measuring tube	Float		PVC cable	Silicone cable * special design			
N08-M R10 S_____	Brass	1.4571	20	70	90 (150*)	1 N/O contact	100	>0,8
N08-M R10 Ö_____	Brass	1.4571	20	70	90 (150*)	1 N/C contact	100	>0,8
N08-M R10 W_____	Brass	1.4571	20	70	90 (150*)	1 changeover c.	100	>0,8
N08-E R10 S_____	1.4571	1.4571	20	70	90 (150*)	1 N/O contact	100	>0,8
N08-E R10 Ö_____	1.4571	1.4571	20	70	90 (150*)	1 N/C contact	100	>0,8
N08-E R10 W_____	1.4571	1.4571	20	70	90 (150*)	1 changeover c.	100	>0,8

Ball float in stainless steel 1.4571



Contact operation with rising level:

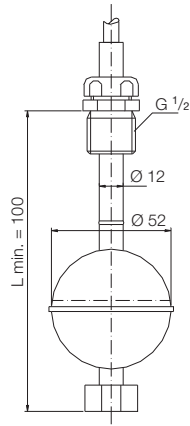
Material:
 Measuring tube: brass or stainless steel 1.4571
 Float: stainless steel 1.4571
 N/O contact: 230 V_{AC} / 1 A / 60 VA
 N/C contact: 230 V_{AC} / 1 A / 60 VA
 Changeover contact: 230 V_{AC} / 1 A / 60 VA
 Cable length: 1 m NYLHY
 Installation position: vertical ±30°
 Protection type: IP 65
 Max. length of meas. tube: 6 mm
 Max. number of contacts: N/O contact / N/C contact max. 4 x off, Changeover contacts max. 3 x off
 Specifications refer to a medium density of 1,0 kg/dm³

Connection heads: see page 10-11
 Switch point min. distance from end of meas. tube: (for special length) 50 mm ±3 (N10-E) 45 mm ±3 (N10-M)

Model	Materials		Nominal pressure at 20°C [bar]	Max. temperature [°C]		Contact number and function	Min. length of meas. tube [mm]	Liquid density [kg/dm ³]
	Measuring tube	Float		PVC cable	Silicone cable * special design			
N10-M R10 S_____	Brass	1.4571	30	70	90 (150*)	1 N/O contact	100	>0,7
N10-M R10 Ö_____	Brass	1.4571	30	70	90 (150*)	1 N/C contact	100	>0,7
N10-M R10 W_____	Brass	1.4571	30	70	90 (150*)	1 changeover c.	100	>0,7
N10-E R10 S_____	1.4571	1.4571	30	70	90 (150*)	1 N/O contact	100	>0,7
N10-E R10 Ö_____	1.4571	1.4571	30	70	90 (150*)	1 N/C contact	100	>0,7
N10-E R10 W_____	1.4571	1.4571	30	70	90 (150*)	1 changeover c.	100	>0,7

Common Details All specifications refer to a medium density of 1,0 kg/dm³

Adjustable for height

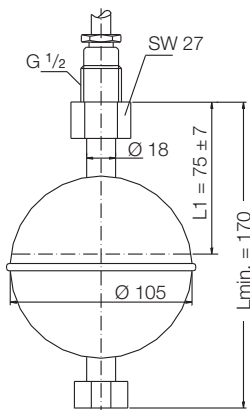


Contact operation with rising level:

Material:
 Measuring tube: brass or stainless steel 1.4571
 Float: stainless steel 1.4571
 N/O contact: 230 V_{AC} / 1 A / 60 VA
 N/C contact: 230 V_{AC} / 1 A / 60 VA
 Changeover contact: 230 V_{AC} / 1 A / 60 VA
 Cable length: 1 m LYLHY
 Installation position: vertical ±30°
 Protection type: IP 64
 Switch point min. distance from end of meas. tube:
 (for special length) 50 mm ±3 (N11-E)
 45 mm ±3 (N11-M)

Model	Materials		Nominal pressure at 20°C [bar]	Max. temperature [°C]	Contact number and function	Min. length of meas. tube [mm]	Liquid density [kg/dm ³]
	Measuring tube	Float					
N11-M R15 S_____	Brass	1.4571	3	70	1 N/O contact	100	>0,7
N11-M R15 Ö_____	Brass	1.4571	3	70	1 N/C contact	100	>0,7
N11-M R15 W_____	Brass	1.4571	3	70	1 changeover c.	100	>0,7
N11-E R15 S_____	1.4571	1.4571	3	70	1 N/O contact	100	>0,7
N11-E R15 Ö_____	1.4571	1.4571	3	70	1 N/C contact	100	>0,7
N11-E R15 W_____	1.4571	1.4571	3	70	1 changeover c.	100	>0,7

Heavy-duty design

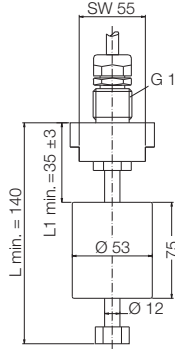


Contact operation with rising level:

Material:
 Measuring tube: stainless steel 1.4571
 Float: stainless steel 1.4571
 N/O contact: 230 V_{AC} / 1 A / 60 VA
 N/C contact: 230 V_{AC} / 1 A / 60 VA
 Changeover contact: 230 V_{AC} / 1 A / 60 VA
 Cable length: 1 m NYLHY
 Installation position: vertical ±30°
 Thread: R10 = G 3/8 or PG7
 Protection type: IP 64
 Switch point min. distance from end of meas. tube:
 (for special length) 85 mm ±7

Model	Materials		Nominal pressure at 20°C [bar]	Max. temperature [°C]		Contact number and function	Min. length of meas. tube [mm]	Liquid density [kg/dm ³]
	Measuring tube	Float		PVC cable	Silicone cable * special design			
N20-P R15 S_____	1.4571	1.4571	15	70	90 (150*)	1 N/O contact	170	>0,5
N20-P R15 Ö_____	1.4571	1.4571	15	70	90 (150*)	1 N/C contact	170	>0,5
N20-P R15 W_____	1.4571	1.4571	15	70	90 (150*)	1 changeover c.	170	>0,5

PTFE design



Contact operation with rising level:

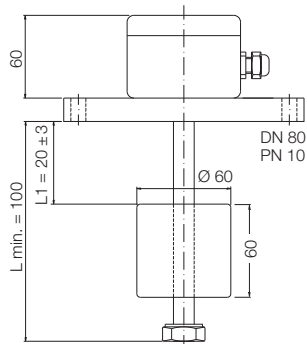
N/O contact: 230 V_{AC} / 1 A / 60 VA
 N/C contact: 230 V_{AC} / 1 A / 60 VA
 Changeover contact: 230 V_{AC} / 1 A / 60 VA
 Cable length: 1 m NYLHY
 Installation position: vertical ±30°

Please note: with 4 contacts min. distance between contact 2 and 3 100 mm

Protection type: IP 65
 Switch point min. distance from end of meas. tube: 90 mm ±5
 (for special length) *also available with connection 6.2*

Model	Materials		Nominal pressure at 20 °C [bar]	Max. temperature [°C]		Contact number and function	Min. length of meas. tube [mm]	Liquid density [kg/dm³]
	Measuring tube	Float		PVC cable	Silicone cable * special design			
N12-T R25 S_____	PTFE	PTFE	3	70	90 (150*)	1 N/O contact	140	>0,9
N12-T R25 Ö_____	PTFE	PTFE	3	70	90 (150*)	1 N/C contact	140	>0,9
N12-T R25 W_____	PTFE	PTFE	3	70	90 (150*)	1 changeover c.	140	>0,9

PVC flange design



Kontaktfunktion bei steigendem Niveau:

N/O contact: 230 V_{AC} / 1 A / 60 VA
 N/C contact: 230 V_{AC} / 1 A / 60 VA
 Changeover contact: 230 V_{AC} / 1 A / 60 VA
 Installation position: vertical ±30°
 Protection type: IP 65

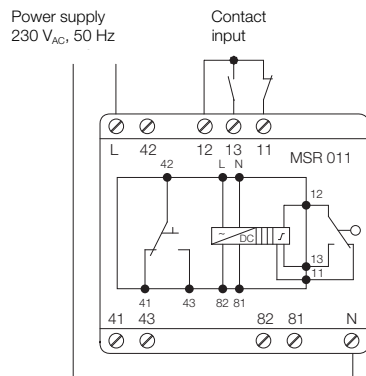
Switch point min. distance from end of meas. tube: 65 mm ±5
 (for special length)

Model	Materials		Nominal pressure at 20 °C [bar]	Max. temperature [°C]		Contact number and function	Min. length of meas. tube [mm]	Liquid density [kg/dm³]
	Measuring tube	Float		PVC cable	Silicone cable * special design			
N16-P F80 S_____	PVC-U	PVC-U	3	55	55	1 N/O contact	100	>0,8
N16-P F80 Ö_____	PVC-U	PVC-U	3	55	55	1 N/C contact	100	>0,8
N16-P F80 W_____	PVC-U	PVC-U	3	55	55	1 changeover c.	100	>0,8

Accessories

MSR 11 for Pump control

Wiring diagram



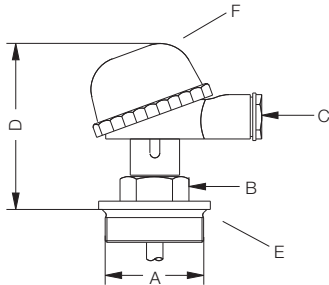
Magnetic level switch

L1: upper contact, N/O contact with rising level
 L2: lower contact, N/C contact with rising level

Relay output

Empty pump: terminal 42-43
 Full pump: terminal 42-41

Type 1

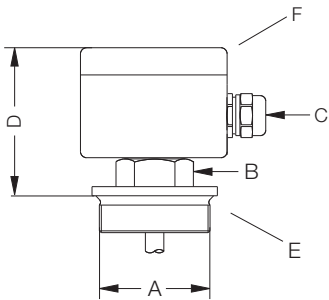


PA screwed cap housing

Dimensions and materials

A-Thread	G1	G1½	G2
B-Width across flats	27AF	30AF	36AF
C-Electr. connection	PG16	PG16	PG16
D-Overall height	110	110	114
F-Housing	PA	PA	PA
E-Screwed fitting	PP	PP	PP
Code	1.0*	1.1	1.2
t_{max}	90 °C	90 °C	90 °C

Type 2/3/4/6

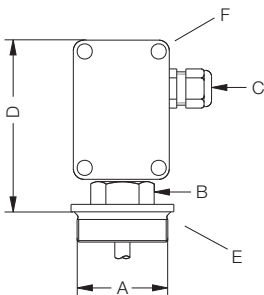


Aluminium adapter box

Dimensions and materials

A-Thread	G1	G1½	G2
B-Width across flats	27AF	30AF	36AF
C-Electr. connection	M16	M16	M16
D-Overall height	76	77	79
F-Housing	ALU	ALU	ALU
E-Screwed fitting	MS	MS	MS
Code	2.0*	2.1	2.2
E-Screwed fitting	VA	PP	PP
Code	4.0*	4.1	4.2
E-Screwed fitting	PTFE	PTFE	PTFE
Code	6.0*	6.1	6.2
t_{max}	90 (140) °C	90 (140) °C	90 (140) °C

Type 5

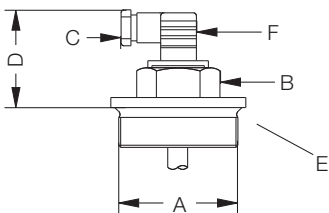


PS (polystyrene) terminal box

Dimensions and materials

A-Thread	G1	G1½	G2
B-Width across flats	27AF	30AF	36AF
C-Electr. connection	PG16	PG16	PG16
D-Overall height	111	111	111
F-Housing	PS	PS	PS
E-Screwed fitting	PVC	PVC	PVC
Code	5.0*	5.1	5.2
t_{max}	55 °C	55 °C	55 °C

Type 7



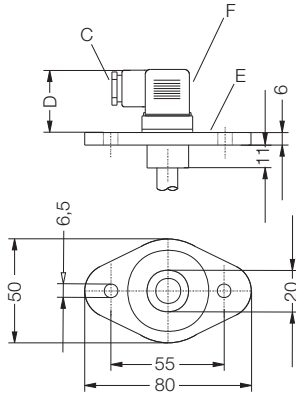
Connector with connecting box

Dimensions and materials

A-Thread	G1	G1½	G2
B-Width across flats	27AF	30AF	36AF
C-Electr. connection	PP	PP	PP
D-Overall height 3-pole	70	70	73
D-Overall height 6-pole	46	46	49
F-Housing	PA	PA	PS
C-Screwed fitting	3-pole/PG9	3-pole/PG9	3-pole/PG9
Code	7.0*	7.1	7.2
C-Screwed fitting	6-pole/PG7	6-pole/PG7	6-pole/PG7
Code	7.A*	7.B	7.C
t_{max}	90 °C	90 °C	90 °C

* for N01, N02, N03 and N04

Type 7.3

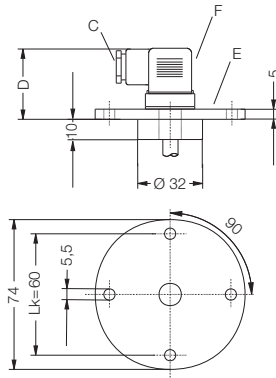


Oval flange polypropylene

Dimensions and materials

Plug	3-pole with	6-pole with
C-Electr. connection	PG9	PG7
D-Overall height	47	30
F-Housing	PA	PA
E-flange	PP	PP
Code	7.3	7.D
t_{max}	90°C	90°C

Type 7.4...7.6

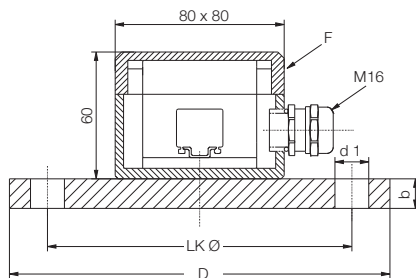


Round flange

Dimensions and materials

Plug	3-pole with	6-pole with
C-Electr. connection	PG9	PG7
D-Overall height	47	30
F-Housing	PA	PA
E-flange	MS	MS
Code	7.4	7.E
t_{max}	90°C	90°C
E-flange	VA	VA
Code	7.5	7.F
E-flange	PVC	PVC
Code	7.6	7.G
t_{max}	55°C	55°C

Type 8/9



Flange form B acc. to DIN 2527

Dimensions and materials

Nominal width	50	65	80	100	125
D	165	185	200	220	250
b	18	18	20	20	22
LK Ø	125	145	160	180	210
Thread	M16	M16	M16	M16	M16
Number d1	4	4	8	8	8
F-Housing	Alu	Alu	Alu	Alu	Alu
E-flange	Steel	Steel	Steel	Steel	Steel
Code	8.1	8.2	8.3	8.4	8.5
E-flange	VA	VA	VA	VA	VA
	1.4571	1.4571	1.4571	1.4571	1.4571
Code	9.1	9.2	9.3	9.4	9.5
t_{max}	90 (150)°C				

Float switches for OEM applications*

	Model	Material	Operating temperature	Density	Switching values	Switching capacity	Pressure	Cable	Connection
	N30-AM16SXXX00	Poly-propylene	-20...+80°C	> 0.70	max. 240 V _{AC} bzw. 200 V _{DC} , 0.5 A	max. 50 W	4 bar	0.3 m PVC	M16x2
	N31-AR05SXXX00	Poly-propylene	max. +80°C	> 0.70	max. 300 V _{AC/DC} , 0.5 A	max. 50 VA	air pressure	0.3 m PVC	G $\frac{1}{8}$
	N32-BR05SXXX00	stainless steel	-20...+120°C	> 0.75	max. 300 V _{AC/DC} , 0.5 A	max. 50 VA	20 bar	0.35 m	G $\frac{1}{8}$
	N33-BR10SXXX00	stainless steel	max. +200°C	> 0.53	max. 300 V _{AC/DC} , 0.5 A	max. 50 VA	10 bar	0.35 m	G $\frac{3}{8}$
	N34-BR05SXXX00	stainless steel	max. +120°C	> 0.55	max. 300 V _{AC/DC} , 0.5 A	max. 50 VA	max. 40 bar	0.35 m	G $\frac{1}{8}$
	N35-CR05SXXX00	PVDF	-20...+80°C	> 0.85	max. 240 V _{AC} bzw. 200 V _{DC} , 0.5 A	max. 50 VA	max. 4 bar	0.3 m PVC	G $\frac{1}{8}$

* Minimum order amount for OEM-float switches: 50 pieces