

Manifold Valves for Multiple Installation for Lubricating Oil Circuits



- Max. flow rate:
24 L/min per group
- Temperature: max. 100 °C
- Process connection
for valve: G 1/2 female
- Material:
aluminium anodized
- Seal: NBR

KOBOLD companies worldwide:

ARGENTINA, AUSTRIA, BELGIUM, CANADA, CHILE, CHINA, CZECHIA,
 FRANCE, GERMANY, GREAT BRITAIN, INDIA, INDONESIA, ITALY,
 MALAYSIA, MEXICO, NETHERLANDS, POLAND, SINGAPORE, SLOVAKIA,
 SPAIN, SWITZERLAND, THAILAND, USA, VENEZUELA, VIETNAM

KOBOLD Messring GmbH
 Nordring 22-24
 D-65719 Hofheim/Ts.
 ☎ +49(0)6192 299-0
 Fax +49(0)6192 23398
 E-Mail: info.de@kobold.com
 Internet: www.kobold.com

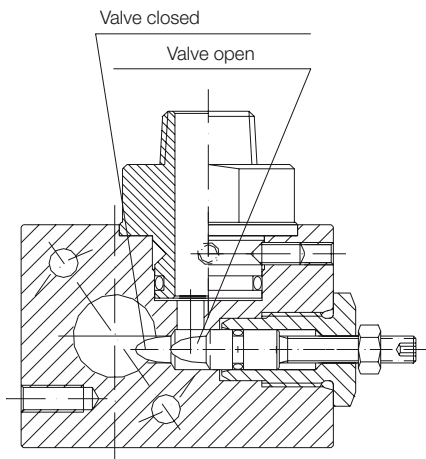
Model:
 BVB



Description

For centralized flow measurement and switching, for example, with lubricating oil circuits we recommend the KOBOLD manifold valves for multiple installation. Up to eight flow meters can be assembled in a group providing that the maximum flow rate in any one group does not exceed 24 L/min.

Design



Applications

- Lubricating oil circuits

Order Details (Example: BVB-1101)

Order number	Version
BVB-1101	1-fold manifold valve
BVB-1102	2-fold manifold valve
BVB-1103	3-fold manifold valve
BVB-1104	4-fold manifold valve
BVB-1105	5-fold manifold valve
BVB-1106	6-fold manifold valve
BVB-1107	7-fold manifold valve
BVB-1108	8-fold manifold valve

Please order the necessary flow meters separately.
Example:

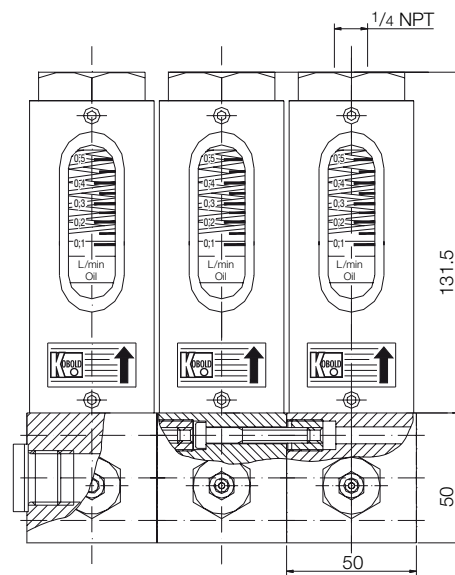
- Item 1 **BVB - 1102** 1 piece
- Item 2 **VKG - 2104 R0 R 15** 2 pieces

Technical Details

- Housing: aluminium, anodized
- Process connection: G 1/2 female (BVB)
Please specify for model VKG/VKM
- Max. flow rate: 24 L/min per group
- Seal: NBR
- Max. temperature: 100 °C
- Max. pressure: PN 64
(Please observe any limitations of the flow meter)
- Min. pressure: 0.5 bar at 9.5 L/min water
1 bar at 14 L/min water
2 bar at 20 L/min water

Dimensions

Three-fold block with flow meter VKG...



3-fold block with flow meter VKM...

