



Variable Area Flowmeter/monitor

Glass cone with fixed flange



measuring
•
monitoring
•
analysing

URK



- Measuring range:
Water: 1...10 – 15 000...50 000 L/h
Air: 0.02...0.2 – 50...500 m³_N/h
- Accuracy class: 4 according to VDI
- p_{max}: 20 bar; t_{max}: 100 °C (65 °C for PVC)
- Connection: flange DIN 2526, Form C, ANSI, DN 15 – DN 80
- Material: Cast iron, stainless steel 1.4301, 1.4404



KOBOLD companies worldwide:

ARGENTINA, AUSTRIA, BELGIUM, BULGARIA, CANADA, CHILE, CHINA, COLUMBIA, CZECHIA, DOMINICAN REPUBLIC, EGYPT, FRANCE, GERMANY, GREAT BRITAIN, HUNGARY, INDIA, INDONESIA, ITALY, MALAYSIA, MEXICO, NETHERLANDS, PERU, POLAND, ROMANIA, SINGAPORE, SOUTH KOREA, SPAIN, SWITZERLAND, TAIWAN, THAILAND, TUNISIA, USA, VIETNAM

KOBOLD Messring GmbH
Nordring 22-24
D-65719 Hofheim/Ts.
Head Office:
+49(0)6192 299-0
+49(0)6192 23398
info.de@kobold.com
www.kobold.com



Applications

- Domestic engineering
- Cooling circuits
- Plant engineering
- Water treatment
- Heating
- Machine tools
- Solar systems
- Welding machines
- Paper machines
- Glass melting pots
- Extrusion machines
- Induction furnaces

Description

The Kobold URK model flowmeter/monitor works on the basis of the suspended float principle. It is used for measuring the flow rates in closed pipe line systems.

The medium flows from below through a glass measuring cone that gets wider on top. Thus, the float is raised and indicates the respective flow rate on the scale provided on the measuring cone. To monitor flow rate limits, the URK meters can be optionally furnished with "open collector" proximity switches.

By its special design, this model is particularly suitable for applications where only very small operating pressures are available. Another advantage is offered by the very large sight glass which optically allows direct flow observation.

Technical Details

Installation position: vertical
 Accuracy class: 4 according to VDI
 Max. temperature: 100 °C (65 °C for PVC)
 Max. pressure: 03H...23H 20 bar (at 40 bar flange)
 25H...33H 12 bar (at 40 bar flange)
 35H...41H 8 bar (at 40 bar flange)
 01L...23L 16 bar (at 40 bar flange)
 25L...33L 10 bar (at 40 bar flange)
 in all other cases 6 bar
 Calibration conditions: water: 20 °C, air: 20 °C,
 air pressure: 1.013 bar abs.

Contact (optional):

Proximity switch: PNP open collector, n. o. contact
 Ambient temperature: -25...+70 °C
 Supply voltage: 12...24 V_{DC}
 Current consumption: max. 10 mA
 Cable: 2 m, PVC
 Protective category: IP 67

Materials

Material combination URK

Ordering code	Connection	Float	Seal	Ring	Housing	Sight glass	Measuring cone
73	cast iron	1.4301	NBR	PVC	st. steel 1.4301	plexiglass	borosilicate glass
33	1.4301	1.4301	FPM	PTFE			
55	1.4404	1.4404	FPM	PTFE			
99**	cast iron 1.4301 1.4404	1.4301 1.4404 aluminium PTFE PVC PP	NBR EPDM FPM PTFE	PVC PTFE 1.4301			

** Customer specification on request



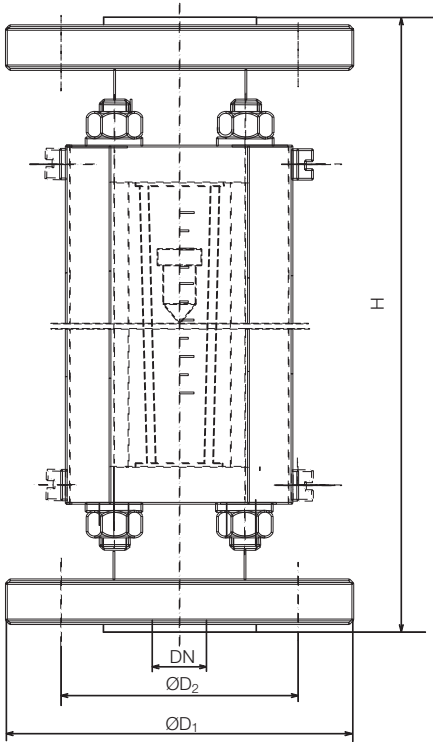
Order Details (Example: URK-73 03H F4 0)

Model	Material combination	Measuring range		Pressure loss [mbar]	Flange			Contacts
		water [L/h]	air [m ³ _N /h]		DIN 2526, Form C, PN 6	DIN 2526, Form C, PN 40	ANSI 150 lbs	
URK-	73 33 55 99**		01L = 0.02...0.2	10	F4 = DN 15 F5 = DN 20	B4 = DN 15	A4 = 1/2" A5 = 3/4"	0 = no contact P* = 1 PNP normally open R* = 2 PNP normally open
		03H = 1...10	03L = 0.032...0.32	10				
		05H = 1.6...16	05L = 0.05...0.5	10				
		07H = 2.5...25	07L = 0.08...0.8	12				
		09H = 4.0...40	09L = 0.13...1.3	9				
		11H = 6.3...63	11L = 0.2...2.0	17				
		13H = 10...100	13L = 0.32...3.2	24				
		15H = 16...160	15L = 0.5...5	28	F6 = DN 25	B5 = DN 20 B6 = DN 25	A6 = 1" A7 = 1 1/4"	
		17H = 25...250	17L = 0.8...8	28				
		19H = 40...400	19L = 1.3...13	36				
		21H = 63...630	21L = 2.0...20	34				
		23H = 100...1000	23L = 3.2...32	43				
		25H = 160...1600	25L = 5...50	48	F7 = DN 32	B7 = DN 32	A8 = 1 1/2"	
		27H = 250...2500	27L = 8...80	48				
		29H = 400...4000	29L = 13...130	51				
		31H = 630...6300	31L = 20...200	57	F8 = DN 40	B8 = DN 40	A9 = 2"	
		33H = 1000...10000	33L = 25...250	70	F9 = DN 50	B9 = DN 50		
		35H = 1600...16000	35L = 32...320	93	FA = DN 65	BA = DN 65	AA = 2 1/2" AB = 3"	
		37H = 2500...25000	37L = 40...400	102				
		39H = 10000...40000	39L = 50...500	95	FB = DN 80	BB = DN 80	-	
41H = 15000...50000		102						
YYY = others			on request					

* Other switching functions on request

** Customer specification on request

Dimensions



DN	DIN Flange						ANSI Flange				H [mm]
	PN6			PN40			Size	Class 150 RF			
	Model	D ₁ [mm]	D ₂ [mm]	Model	D ₁ [mm]	D ₂ [mm]		Model	D ₁ [mm]	D ₂ [mm]	
15	URK-..F4..	80	55	URK-..B4..	95	65	½"	URK-..A4..	88,9	60,5	380
20	URK-..F5..	90	65	-	-	-	¾"	URK-..A5..	98,6	69,9	
20	-	-	-	URK-..B5..	105	75	1"	URK-..A6..	108,0	79,2	390
25	URK-..F6..	100	75	URK-..B6..	115	85	1¼"	URK-..A7..	117,3	88,9	
32	URK-..F7..	120	90	URK-..B7..	140	100	1½"	URK-..A8..	127,0	98,6	400
40	URK-..F8..	130	100	URK-..B8..	150	110	2"	URK-..A9..	152,0	120,7	410
50	URK-..F9..	140	110	URK-..B9..	165	125	2½"	URK-..AA..	177,8	139,7	550
65	URK-..FA..	160	130	URK-..BA..	185	145	3"	URK-..AB..	190,5	152,4	
80	URK-..FB..	190	150	URK-..BB..	200	160	-	-	-	-	560