

Vane Anemometer for Gases



Flow
Pressure
Level
Temperature
Measurement
Monitoring
Control



- Measuring range: 0,3-45 m/s gas
- Measuring accuracy: $\pm 3\%$ of measured value
- Digital display
- Reasonably-priced, robust

Model: AVM-01

Model:
AVM

Description

The model AVM precision anemometer measures the flow velocity with a sapphire-supported vane; it measures the temperature with a thermocouple. The measuring instrument comprises an ABS plastic case with hinged table stand and the sensor with fitting device for mounting on a stand. The electronics are attached to the sensor by a 2 m long connection cable.

Applications

- Air-flow at output of air-conditioning systems
- Air-flow at an extraction system
- Air-draught in rooms
- Temperature measurement in air (AVM-03)

Device Functions

- Four selectable speed ranges
- Data-hold function for speed
- Temperature measurement (AVM-03 only)
- Max. hold function for temperature (AVM-03 only)

Each device comes supplied with a tool kit.

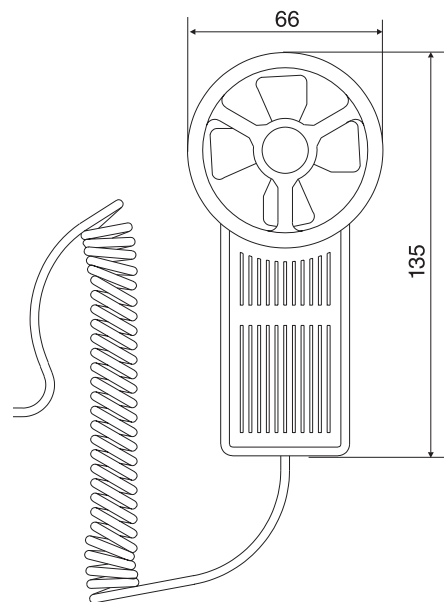
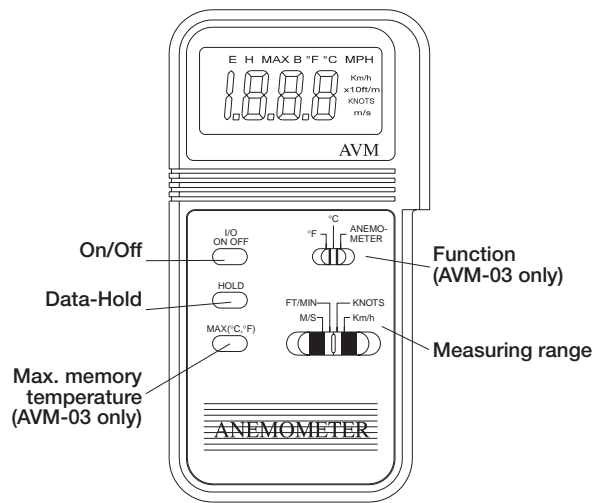
Technical Specifications

AVM-01 / AVM-03

Measuring range:	0,3 to 45,0 m/s 1 to 140 km/h 60 to 8,800 ft/min. 0,6 to 88,0 knots
Resolution:	0,1 m/s / 0,1 km/h 10 ft/min / 0,1 knots
Accuracy:	±3% of measured value
Dimensions:	168 x 90 x 32 mm
Vane:	52 mm
Indicator:	25 mm
Weight:	500 grm
Sensor cable:	2000 mm
Display:	3,5 segment LCD, 25 mm
Operating temperature:	max. 50 °C
Operating pressure:	max. 2 bar
Supply:	9 V monobloc battery

AVM-03 only

Temperature:	0 to 60 °C
Transducer:	Thermocouple model: K
Resolution:	0,1 °C
Accuracy:	±1 °C



Order Details

Model	Description
AVM-01	Anemometer with non-detachable vane Cable length 2 m Hold function for speed Tool kit
AVM-03	As for AVM-01 but with Temperature measurement with NiCrNi (K) Max. memory temperature