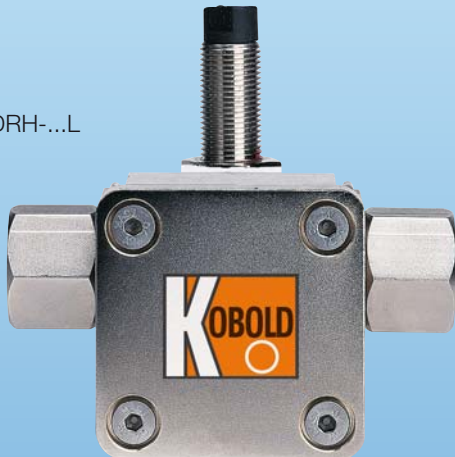


Rotating Vane Flow Meter for Liquids

Model: DRH-...L



Model: ADI-K...



Model: DRH-...C



- Measuring ranges:
0.2-0.8 to 2.5-50 L/min water
- Measuring accuracy:
±2.5 % f. s.
- p_{max}: 100 bar, t_{max}: 80 °C
- Connection:
G 3/8, G 1 female thread,
3/8 NPT, 1 NPT female thread
- Material:
brass, stainless steel,
POM, PVDF
- Viscosity range: low viscous
- Output:
pulses, 4-20 mA,
switching outputs



KOBOLD companies worldwide:

ARGENTINA, AUSTRIA, BELGIUM, CANADA, CHILE, CHINA, CZECHIA,
 FRANCE, GERMANY, GREAT BRITAIN, INDIA, INDONESIA, ITALY,
 MALAYSIA, MEXICO, NETHERLANDS, POLAND, SINGAPORE, SLOVAKIA,
 SPAIN, SWITZERLAND, THAILAND, USA, VENEZUELA, VIETNAM

KOBOLD Messring GmbH
 Nordring 22-24
 D-65719 Hofheim/Ts.
 ☎ +49(0)61 92 299-0
 Fax +49(0)61 92 23398
 E-Mail: info.de@kobold.com
 Internet: www.kobold.com

Model:
 DRH

Description

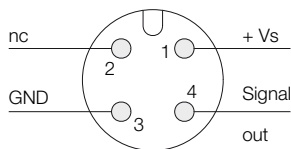
KOBOLD rotating vane flow meters series DRH are used for measuring and monitoring low viscous liquids. Series DRH flow meters are working according the well-known rotating vane principle. A magnet fitted in the vane and hermetically sealed from the medium transfers non-contacting the rotary motion to a Hall-effect sensor mounted in the housing. The sensor converts the rotary motion which is proportional to the flow to a frequency signal. A series-connected electronics unit converts the signal to an analogue output, limit contacts or display. This devices can be adapted to prevailing plant conditions with the 360° rotatable screw connections.

Fields of application

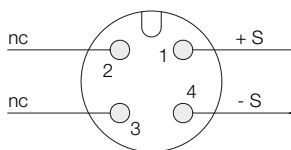
- cooling water monitoring
- agricultural machinery
- PCB board industry

Electrical connection

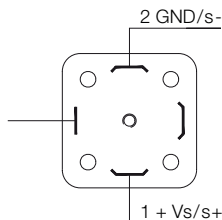
DRH-...F., DRH-...Z., DRH-...L3... 3-wire



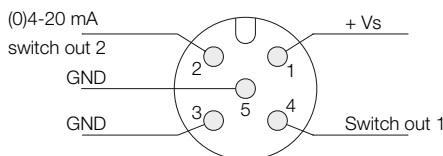
DRH-...L342... 2-wire



DRH-...L4...



DRH-...C...



Technical details

Material combinations:	see order details
Max. operating pressure:	see order details
Max. temperature:	see order details
Measuring accuracy:	±2.5% f.s. ±5% f.s. (DRH-...F300)
Electrical connection:	plug connector DIN 43 650, plug connector M12x1, cable
Pressure loss:	max. 1 bar at max. range
Protection:	IP 65

Electronics

● **Frequency output (...F300)**

Power supply:	12 - 28 V _{DC}
Power consumption:	10 mA
Pulse output:	PNP, open collector, max. 25 mA
Electrical connection:	plug connector M12x1

● **Frequency output with frequency divider**

Power supply:	24 V _{DC} ± 20%
Power consumption:	15 mA
Pulse output:	PNP, open collector, max. 25 mA
Electrical connection:	plug connector M12x1
Division ratio:	1... 1/128 factory set

● **Analogue output (plug-on display option)**

Power supply:	24 V _{DC} ± 20%
Output:	0-20 mA or 4-20 mA, 2-wire or 3-wire
Max. load:	500 Ω
Electrical connection:	plug connector M12x1 or DIN 43 650
Option:	plug-on display (with plug connector DIN 43 650 and output 4-20 mA only), 2-wire

● **Compact electronics**

Display:	3-segment LED
Analogue output:	(0)4-20 mA adjustable, max. 500 Ω
Switching outputs:	1 (2) semiconductor PNP or NPN, factory set
Contact operation:	N/C / N/O contact frequency programmable
Setting:	with 2 buttons
Supply:	24 V _{DC} ± 20%, 3-wire technology, approx. 100 mA
Electrical connection:	plug connector M12x1

● **Pointer indicaton with analogue output**

Housing:	aluminum
Display:	moving-coil instrument, 240° display
Power supply:	24 V _{DC} ± 20%
Output:	4-20 mA or 0-20 mA, 3-wire
Max. load:	250 Ω
Electrical connection:	plug connector M12x1



Order Details (example: DRH-1 1 05 N3 F300)

Measuring range L/min water	approx. frequency [Hz] at f. s.	Orifice diameter [mm]	Model	Connection		Evaluating electronics
				Standard fem. thread	Special fem. thread	
0.2-0.8	63	1	DRH-1X05..	..G3..=G 3/8	..N3..=3/8 NPT	<p>Frequency output</p> <p>..F300=Frequency output, plug connector M12x1 ..F320=Frequency divider 1:2, plug connector M12x1 ..F340=Frequency divider 1:4, plug connector M12x1 ..F390=Frequency divider 1...1/128, plug connector M12x1</p> <p>Analogue output</p> <p>..L303=0-20 mA output, 3-wire, plug connector M12x1 ..L342=4-20 mA output, 2-wire, plug connector M12x1 ..L343=4-20 mA output, 3-wire, plug connector M12x1 ..L442=4-20 mA output, 2-wire, plug connector DIN 43 650</p> <p>Compact electronics*</p> <p>..C30R=LED display, 2x open collector, PNP, plug con. M12x1 ..C30M=LED display, 2x open collector, NPN, plug con. M12x1 ..C34P=LED display, 4-20 mA, 1xopen coll., PNP, plug con. M12x1 ..C34N=LED display, 4-20 mA, 1xopen coll., NPN, plug con. M12x1</p> <p>Pointer indication*</p> <p>..Z300=240° pointer indication, 0-20 mA, plug con. M12x1 ..Z340=240° pointer indication, 4-20 mA, plug con. M12x1</p>
0.2-2.0	50	2	DRH-1X10..	..G6..=G 1	..N6..=1 NPT	
0.3-2.8	123	2	DRH-1X15..	..G3..=G 3/8	..N3..=3/8 NPT	
0.25-5.0	78	3	DRH-1X20..	..G6..=G 1	..N6..=1 NPT	
0.5-6.0	166	3	DRH-1X25..	..G3..=G 3/8	..N3..=3/8 NPT	
0.5-15	145	5	DRH-1X30..	..G6..=G 1	..N6..=1 NPT	
1.0-16	225	5	DRH-1X35..	..G3..=G 3/8	..N3..=3/8 NPT	
1.0-26	240	7	DRH-1X40..	..G3..=G 3/8	..N3..=3/8 NPT	
2.0-36	228	9	DRH-1X45..	..G6..=G 1	..N6..=1 NPT	
2.5-50	220	10	DRH-1X50..	..G6..=G 1	..N6..=1 NPT	

*Please specify flow direction in writing

Material combinations (Please enter order code instead of X "model"; Example: DRH-1105 G1 F300)

Device parts	Order code: 1	Order code: 2	Order code: 4	Order code: 5	Order code: 7	Order code: 8	Order code: 9
Housing	Brass, nickel-pl.	Brass, nickel-pl.	1.4404	1.4404	POM	POM	PVDF
Housing cover	PMMA	Brass, nickel-pl.	PMMA	1.4404	PMMA	POM	PVDF
Seal	NBR	NBR	FPM	FPM	NBR	NBR	FPM
Rotating vane	PTFE	PTFE	PTFE	PTFE	PTFE	PTFE	PTFE
Axle	Ceramic	Ceramic	Ceramic	Ceramic	Ceramic	Ceramic	Ceramic
Bearing	PTFE	PTFE	PTFE	PTFE	PTFE	PTFE	PTFE
pmax:	16 bar	100 bar	16 bar	100 bar	16 bar	16 bar	16 bar
tmax:	80°C	80°C	80°C	80°C	80°C	80°C	80°C
Weight (3/8")	850 g	1000 g	900 g	1050 g	250 g	250 g	300 g
Weight (1")	1600 g	2000 g	1600 g	2000 g	400 g	400 g	500 g

Weight

Weight (sensor)
 + Weight (electronics)

 Total weight

Sensor Weight

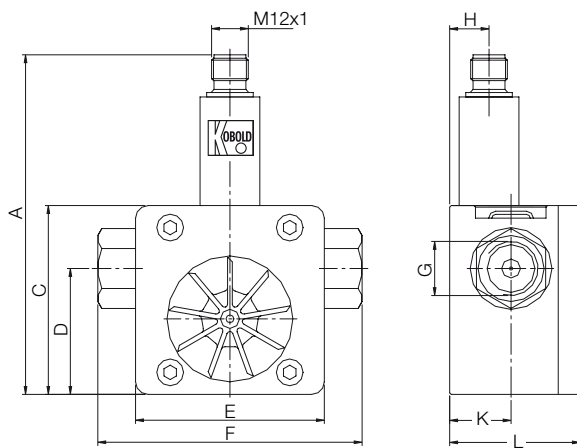
see material combination

Electronic Weight

Frequency output: app. 35 g
 Analogue output (...L3...): app. 35 g
 Analogue output (...L4...): app. 100 g
 Compact electronics: app. 650 g
 Pointer indication: app. 450 g

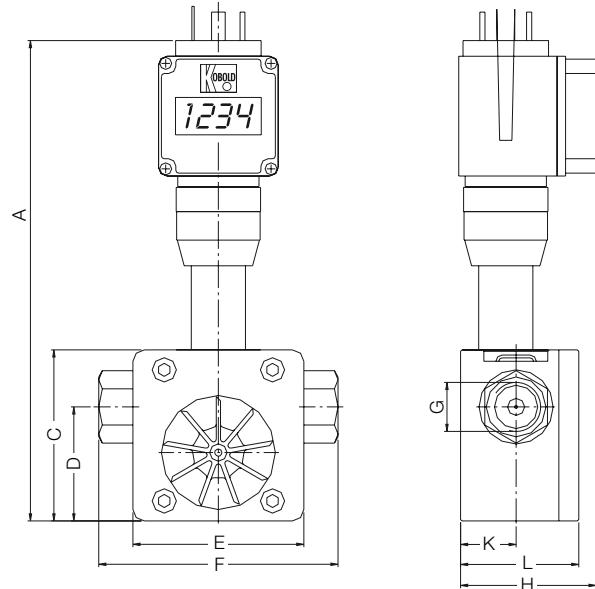
Dimensions

Model: DRH-F3..., DRH-...L (with analogue output)



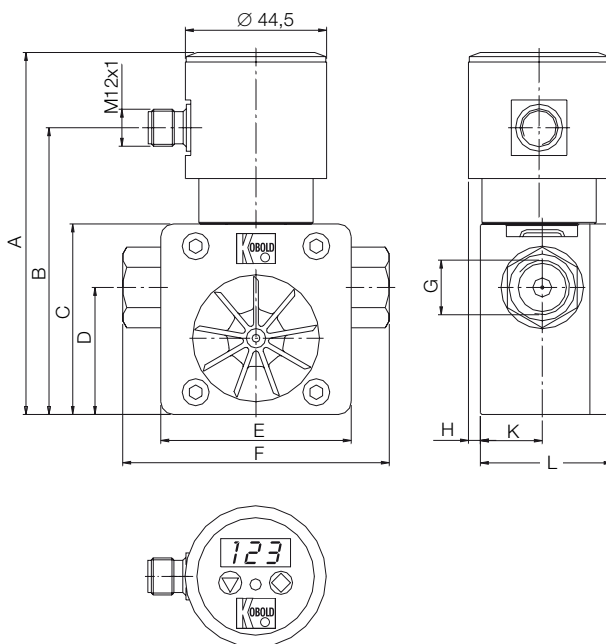
G	A	C	D	E	F	H	K	L
3/8	108	60	40	60	84	12.5	19.5	41.5
1	118	70	42	70	110	15.8	22.5	53

Model: DRH-...L442 (with analogue output and plug-on display)



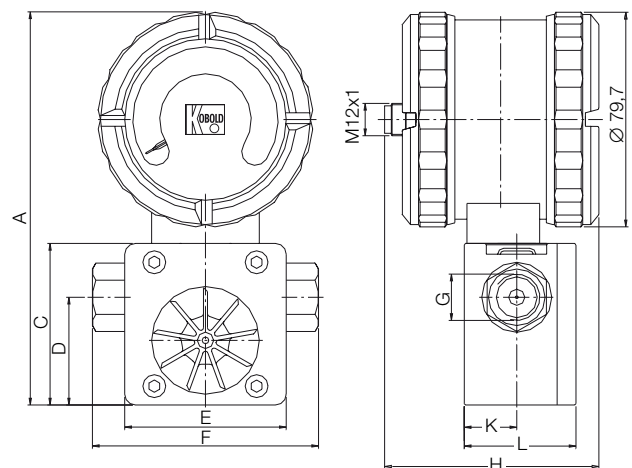
G	A	C	D	E	F	H	K	L
3/8	168.5	60	40	60	84	47.5	19.5	41.5
1	178.5	70	42	70	110	-	22.5	53

Model: DRH-...C (with compact electronics)



G	A	B	C	D	E	F	H	K	L
3/8	114	90.3	60	40	60	84	3.8	19.5	41.5
1	124	100.3	70	42	70	110	1.8	22.5	53

Model: DRH-...Z (with pointer indication)



G	A	C	D	E	F	H	K	L
3/8	146	60	40	60	84	79.6	19.5	41.5
1	156	70	42	70	110	79.6	22.5	53