



Rotating-Vane Flow Indicator for Liquids



measuring
•
monitoring
•
analysing



- Display range:
0.5-12...3-80 L/min water
- p_{\max} 16 bar, t_{\max} 80 °C
- Housing materials:
aluminium bronze,
stainless steel, PP



KOBOLD companies worldwide:

ARGENTINA, AUSTRIA, BELGIUM, CANADA, CHILE, CHINA, CZECHIA,
FRANCE, GERMANY, GREAT BRITAIN, INDIA, INDONESIA, ITALY,
MALAYSIA, MEXICO, NETHERLANDS, POLAND, SINGAPORE, SLOVAKIA,
SPAIN, SWITZERLAND, THAILAND, USA, VENEZUELA, VIETNAM

KOBOLD Messring GmbH
Nordring 22-24
D-65719 Hofheim/Ts.
☎ +49(0)6192 299-0
Fax +49(0)6192 23398
E-Mail: info.de@kobold.com
Internet: www.kobold.com

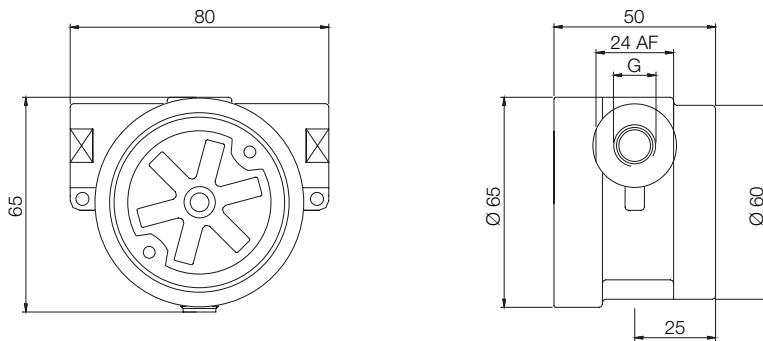
Model:
DIG

Materials

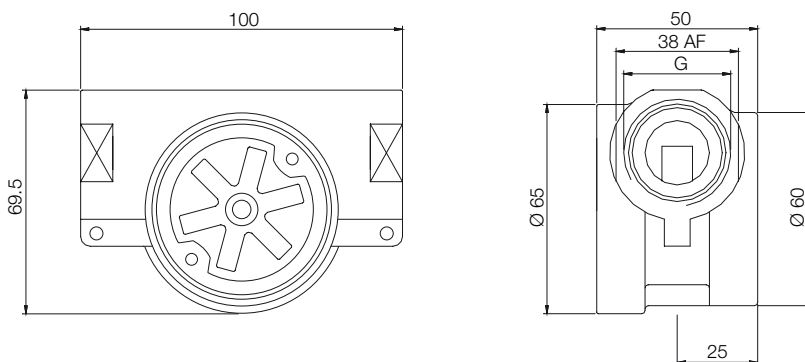
	DIG-11	DIG-14	DIG-18
Housing:	aluminium bronze	stainless steel (1.3955)	PP
Cover:	PSU	PSU	PSU
Seal:	NBR	FPM	NBR
Vane wheel:	PP	PP	PP
Axle:	ceramic	ceramic	ceramic
p _{max} :	16 bar	16 bar	7 bar
t _{max} :	80 °C	80 °C	80 °C

Dimensions

DIG-...06, DIG-...08, DIG-...15



DIG-...20, DIG-...25



Order Details (example: **DIG-1105 R06**)

Display range		Model			Connection	
[L/min] water	Δ P [bar]*	DIG-11...	DIG-14...	DIG-18...	Standard	Special
0.5...12	1	DIG-1105...	DIG-1405...	DIG-1805...	R06 = G 1/8 IG	N06 = 1/8 NPT
1...25	1	DIG-1110...	DIG-1410...	DIG-1810...	R08 = G 1/4 IG	N08 = 1/4 NPT
2...45	1	DIG-1120...	DIG-1420...	DIG-1820...	R15 = G 1/2 IG	N15 = 1/2 NPT
2...50	1	DIG-1130...	DIG-1430...	DIG-1830...	R20 = G 3/4 IG	N20 = 3/4 NPT
3...80	1	DIG-1135...	DIG-1435...	DIG-1835...	R25 = G 1 IG	N25 = 1 NPT

*at max. flow