

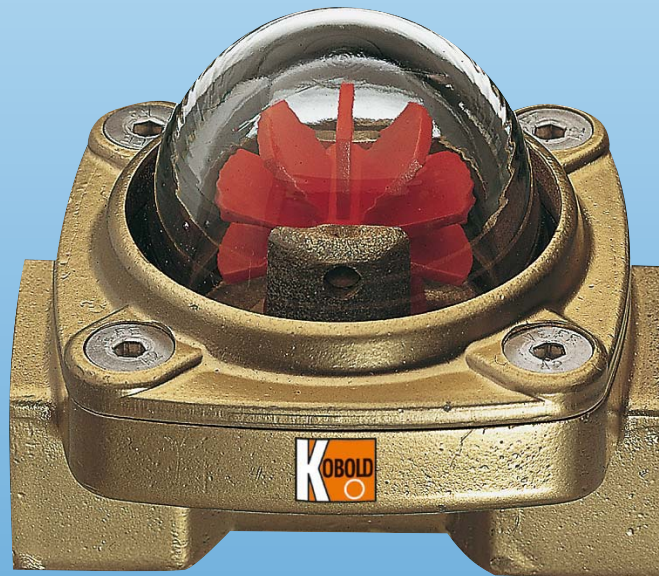


## Rotor Flow Indicator

Horizontal and  
Vertical Installation · for Liquids



measuring  
·  
monitoring  
·  
analysing



- Indication range:  
0.14-2...1.8-83 L/min water
- $p_{max}$  6 bar,  $t_{max}$  120 °C
- Connection:  
G 1/8... G 1, 1/8 NPT... 1 NPT
- Material: brass



KOBOLD companies worldwide:

ARGENTINA, AUSTRIA, BELGIUM, CANADA, CHILE, CHINA, CZECHIA,  
FRANCE, GERMANY, GREAT BRITAIN, INDIA, INDONESIA, ITALY,  
MALAYSIA, MEXICO, NETHERLANDS, POLAND, SINGAPORE, SLOVAKIA,  
SPAIN, SWITZERLAND, THAILAND, USA, VENEZUELA, VIETNAM

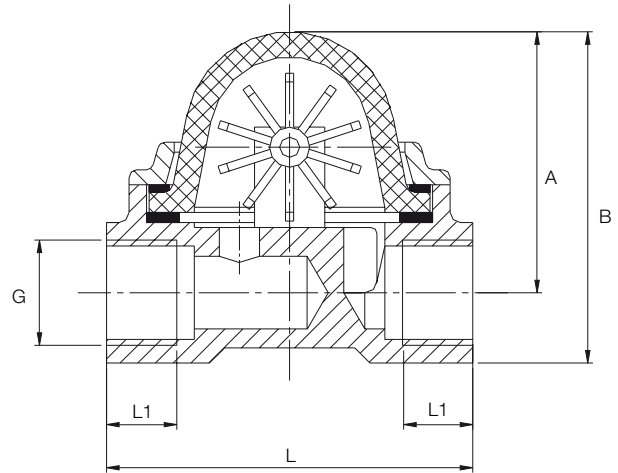
KOBOLD Messring GmbH  
Nordring 22-24  
D-65719 Hofheim/Ts.  
☎ +49(0)6192 299-0  
Fax +49(0)6192 23398  
E-Mail: info.de@kobold.com  
Internet: www.kobold.com

**Model:**  
DKF



Materials:	DKF-11...	DKF-21...
Housing:	brass (MS-58)	brass (MS-58)
Glass dome:	borosilicate glass	borosilicate glass
Rotating vane:	POM	PTFE
Axle:	brass (MS-58)	brass (MS-58)
Sealing:	EPDM	FPM
Rings:	brass (MS-58)	brass (MS-58)
Screws:	st. steel	st. steel

**Dimensions**



**Connection**

G 1/8 R06	G 1/4 R08	G 3/8 R10	G 1/2 R15	G 3/4 R20	G 1 R25
1/8 NPT N06	1/4 NPT N08	3/8 NPT N10	1/2 NPT N15	3/4 NPT N20	1 NPT N25

Model	p <sub>max</sub>	t <sub>max</sub>	G	NPT	L1 [mm]	L [mm]	A [mm]	B [mm]	Weight [kg]
DKF-..01H	6 bar	120°C	G 1/8	1/8	8	56	41	50	0.3
DKF-..02H	6 bar	120°C	G 1/4	1/4	10	56	41	50	0.28
DKF-..03H	6 bar	120°C	G 3/8	3/8	14	73	53	67	0.57
DKF-..04H	6 bar	120°C	G 1/2	1/2	14	73	53	67	0.54
DKF-..05H	6 bar	120°C	G 3/4	3/4	16	109	72	94	1.41
DKF-..06H	6 bar	120°C	G 1	1	18	109	72	94	1.30

**Order Details** (Example: DKF-1101H R06)

Indication range		Model		Connection	
[L/min] water	Δ P [bar]*	DKF-11..	DKF-21..	G-thread	NPT-thread
0.14 - 2	1	DKF-1101H..	DKF-2101H..	R06	N06
0.25 - 7	1	DKF-1102H..	DKF-2102H..	R08	N08
0.45 - 18	1	DKF-1103H..	DKF-2103H..	R10	N10
0.6 - 28	1	DKF-1104H..	DKF-2104H..	R15	N15
1 - 61	1	DKF-1105H..	DKF-2105H..	R20	N20
1.8 - 83	1	DKF-1106H..	DKF-2106H..	R25	N25

\* max. flow