

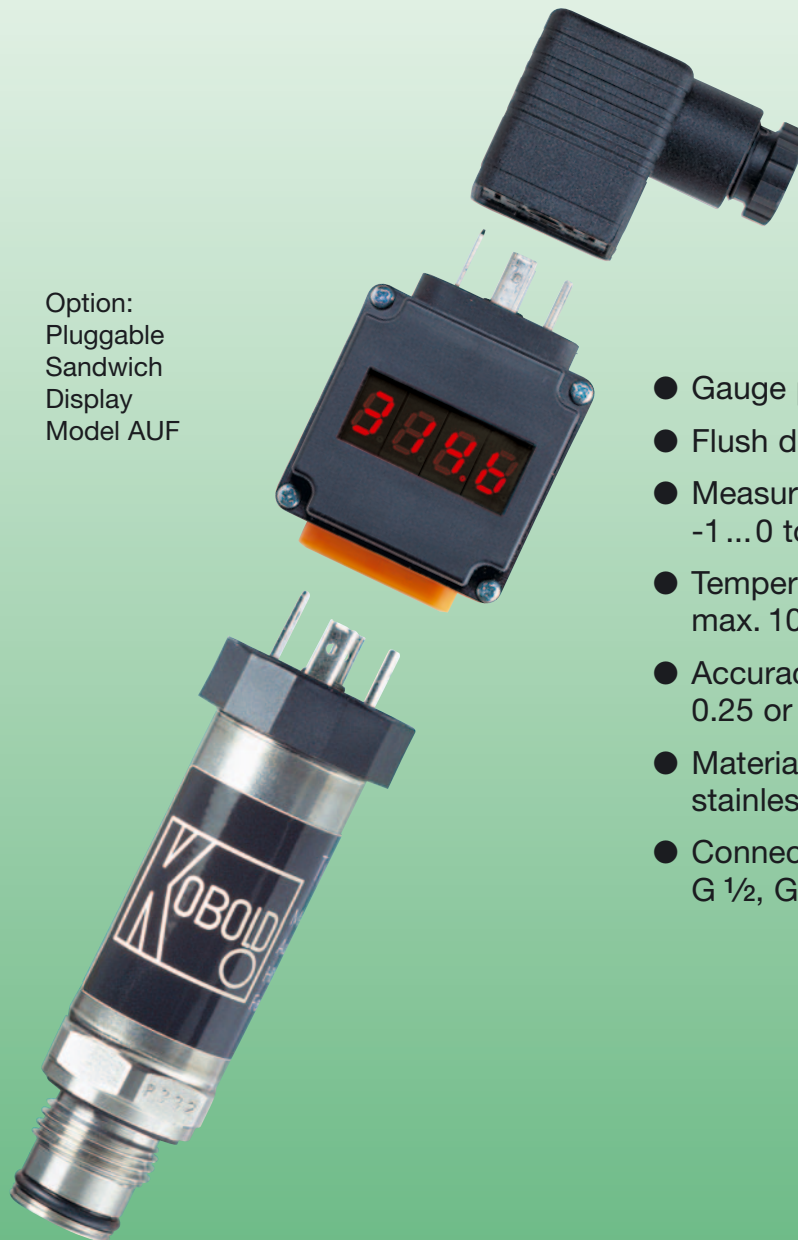


Pressure Transducer Heavy Duty Industrial Piezoresistive



measuring
•
monitoring
•
analysing

Option:
Pluggable
Sandwich
Display
Model AUF



- Gauge pressure
- Flush diaphragm
- Measuring range:
-1 ... 0 to 0 ... 16 bar
- Temperature (medium):
max. 100 °C
- Accuracy class:
0.25 or 0.5
- Material:
stainless steel
- Connection:
G 1/2, G 1 male



KOBOLD companies worldwide:

ARGENTINA, AUSTRIA, BELGIUM, CANADA, CHILE, CHINA, COLOMBIA,
CZECHIA, FRANCE, GERMANY, GREAT BRITAIN, INDIA, IRAN, INDONESIA,
ITALY, MALAYSIA, MEXICO, NETHERLANDS, PERU, POLAND, SINGAPORE,
SLOVAKIA, SPAIN, SWITZERLAND, THAILAND, USA, VENEZUELA, VIETNAM

KOBOLD Messring GmbH
Nordring 22-24
D-65719 Hofheim/Ts.
☎ +49(0)6192 299-0
Fax +49(0)6192 23398
E-Mail: info.de@kobold.com
Internet: www.kobold.com

Model:
SEN-3251
SEN-3252



Description

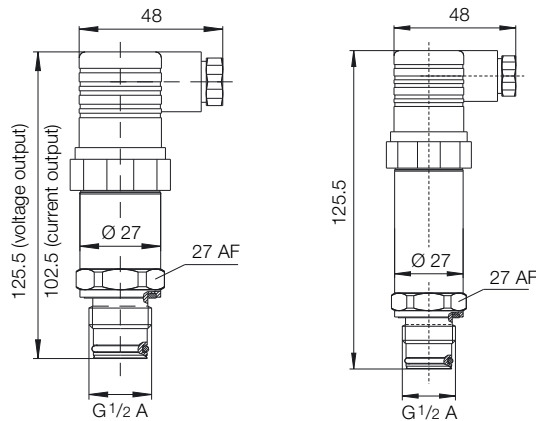
The Heavy Duty Industrial pressure transducers are leaders among pressure transducers. The flush type diaphragm allows the use with aggressive, viscous or crystallizing process fluids. This type of sealing permits cleaning of the process connections without residues. Case and wetted parts are stainless steel. Therefore they are extremely resistant against aggressive media and fulfill the most demanding requirements.

Two adjustment potentiometers for zero and span render possible the use in most difficult applications like measurement of the hydrostatic column.

Dimensions (in mm)

SEN-3251...

SEN-3252...



Applications

- Plant and equipment manufacturing
- Process engineering
- Apparatus engineering
- Development and laboratory

Order Details Sensor (Example: SEN-3251 C 315)

Measuring range	Order no. Gauge pressure class 0.5 4 - 20 mA	Order no. Gauge pressure class 0.5 0 - 5 V _{DC}	Order no. Gauge pressure class 0.5 0 - 10 V _{DC}	Order no. Gauge pressure class 0.25 4 - 20 mA	Order no. Gauge pressure class 0.25 0 - 10 V _{DC}
-1 to 0 bar	SEN-3251 C315	SEN-3251/1 C315	SEN-3251/2 C315	SEN-3252 C315	SEN-3252/2 C315
-0.6 to 0 bar	SEN-3251 C305	SEN-3251/1 C305	SEN-3251/2 C305	SEN-3252 C305	SEN-3252/2 C305
-0.4 to 0 bar	SEN-3251 C436	SEN-3251/1 C436	SEN-3251/2 C436	SEN-3252 C436	SEN-3252/2 C436
-0.25 to 0 bar	SEN-3251 C426	SEN-3251/1 C426	SEN-3251/2 C426	SEN-3252 C426	SEN-3252/2 C426
0 to 0.1 bar	SEN-3251 B126	SEN-3251/1 B126	SEN-3251/2 B126	-	-
0 to 0.16 bar	SEN-3251 B136	SEN-3251/1 B136	SEN-3251/2 B136	-	-
0 to 0.25 bar	SEN-3251 B146	SEN-3251/1 B146	SEN-3251/2 B146	SEN-3252 B146	SEN-3252/2 B146
0 to 0.4 bar	SEN-3251 B156	SEN-3251/1 B156	SEN-3251/2 B156	SEN-3252 B156	SEN-3252/2 B156
0 to 0.6 bar	SEN-3251 B015	SEN-3251/1 B015	SEN-3251/2 B015	SEN-3252 B015	SEN-3252/2 B015
0 to 1 bar	SEN-3251 B025	SEN-3251/1 B025	SEN-3251/2 B025	SEN-3252 B025	SEN-3252/2 B025
0 to 1.6 bar	SEN-3251 B035	SEN-3251/1 B035	SEN-3251/2 B035	SEN-3252 B035	SEN-3252/2 B035
0 to 2.5 bar	SEN-3251 B045	SEN-3251/1 B045	SEN-3251/2 B045	SEN-3252 B045	SEN-3252/2 B045
0 to 4 bar	SEN-3251 B055	SEN-3251/1 B055	SEN-3251/2 B055	SEN-3252 B055	SEN-3252/2 B055
0 to 6 bar	SEN-3251 B065	SEN-3251/1 B065	SEN-3251/2 B065	SEN-3252 B065	SEN-3252/2 B065
0 to 10 bar	SEN-3251 B075	SEN-3251/1 B075	SEN-3251/2 B075	SEN-3252 B075	SEN-3252/2 B075
0 to 16 bar	SEN-3251 B085	SEN-3251/1 B085	SEN-3251/2 B085	SEN-3252 B085	SEN-3252/2 B085
0 to 25 bar	SEN-3251 B095	SEN-3251/1 B095	SEN-3251/2 B095	SEN-3252 B095	SEN-3252/2 B095

Technical Data

Technology: flush diaphragm
 Pressure type: gauge pressure
 Housing: stainless steel 1.4301
 Fitting: < 1.6 bar G 1 male
 > 2.5 bar G 1/2 male
 Wetted parts: stainless steel 1.4571, NBR
 Sensor: piezoresistive
 Max. temperature: storage: -40...+100°C
 medium: -30...+100°C
 ambient: -20...+80°C
 Pressure limitation: 3.5 x range; vacuum-tight
 Accuracy class: 0.25 or 0.5
 Repeatability: ≤ ±0.05 % (f.s.d.)
 Stability (annual): ≤ ±0.2 % (f.s.d.)
 under reference conditions
 Electrical connection: plug DIN 43 650
 Power supply: 10...30 V_{DC}
 (14...30 V_{DC} for output 0 - 10 V_{DC})
 Output: 4 - 20 mA (2-wire), 0 - 10 V_{DC}
 Load (Ω): ≤ (U_B - 10 V) / 0.02 A (for 4 - 20 mA)
 > 5 kΩ for 0 - 5 V
 > 10 kΩ for 0 - 10 V
 Response time: ≤ 1 ms (within 10 - 90 % of full scale)
 Adjustability: zero point and meas. span ±5 %
 Temp. comp. range: 0...+80°C
 Temperature drift: to zero point and span ±0.2%/10 K
 zero point for meas. range 0...0.1
 and 0...0.16 bar ±0.4%/10 K
 Protection: IP 65

Accessory

Weld on Adapter for flush diaphragm transducer

Connection	Model
G 1/2	MZB-ESA R15
G 1	MZB-ESA R25