

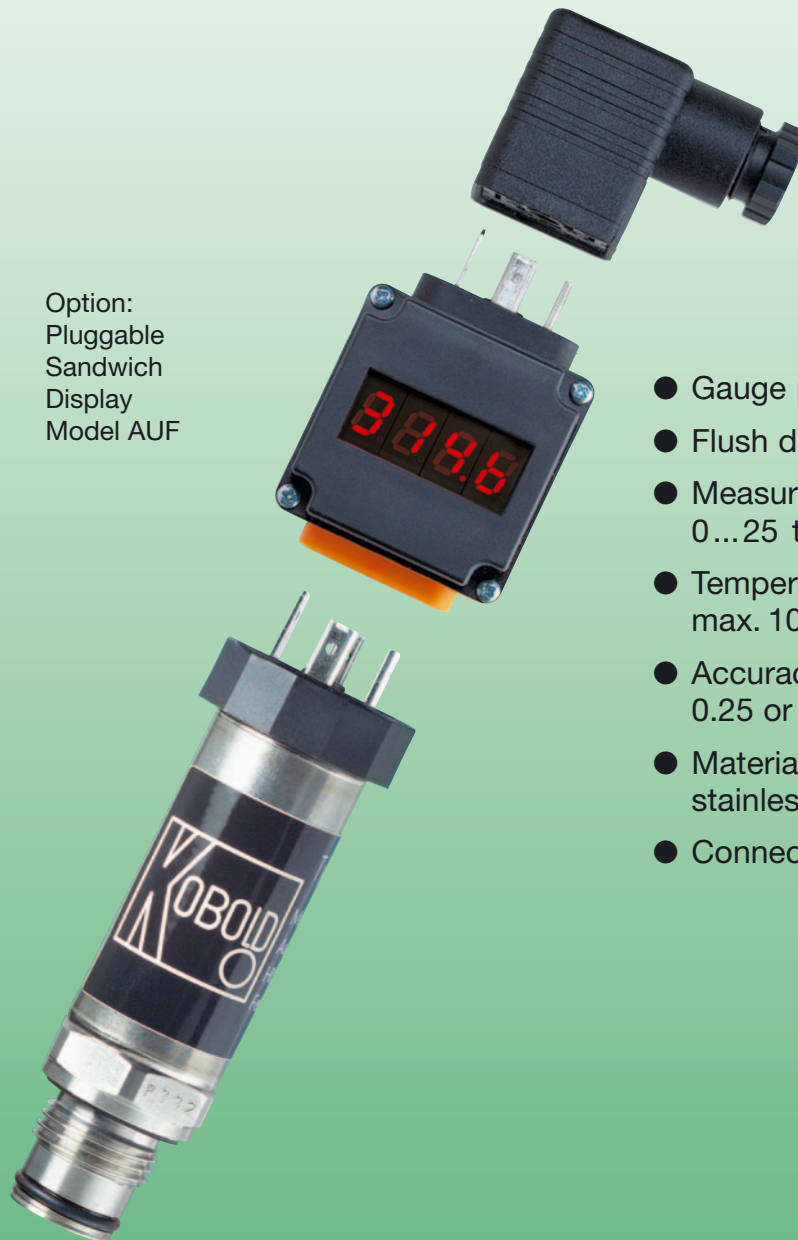


Pressure Transducer Heavy Duty Industrial Thinfilm



measuring
•
monitoring
•
analysing

Option:
Pluggable
Sandwich
Display
Model AUF



- Gauge pressure
- Flush diaphragm
- Measuring range:
0...25 to 0...600 bar
- Temperature (medium):
max. 100 °C
- Accuracy class:
0.25 or 0.5
- Material:
stainless steel
- Connection: G 1/2 male



KOBOLD companies worldwide:

ARGENTINA, AUSTRIA, BELGIUM, CANADA, CHILE, CHINA, COLOMBIA,
CZECHIA, FRANCE, GERMANY, GREAT BRITAIN, INDIA, IRAN, INDONESIA,
ITALY, MALAYSIA, MEXICO, NETHERLANDS, PERU, POLAND, SINGAPORE,
SLOVAKIA, SPAIN, SWITZERLAND, THAILAND, USA, VENEZUELA, VIETNAM

KOBOLD Messring GmbH
Nordring 22-24
D-65719 Hofheim/Ts.
☎ +49(0)6192 299-0
Fax +49(0)6192 23398
E-Mail: info.de@kobold.com
Internet: www.kobold.com

Model:
SEN-3344
SEN-3386

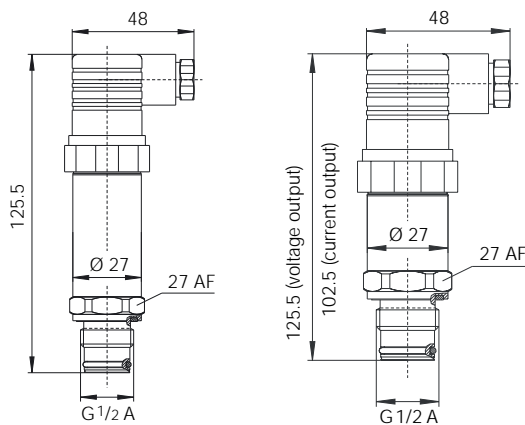
Description

The Heavy Duty Industrial pressure transducers are leaders among pressure transducers. The flush type diaphragm allows the use with aggressive, viscous or crystallizing process fluids. This type of sealing permits cleaning of the process connections without residues. Case and wetted parts are stainless steel. Therefore they are extremely resistant against aggressive media and fulfill the most demanding requirements. Two adjustment potentiometers for zero and span render possible the use in most difficult applications like measurement of the hydrostatic column.

Dimensions

SEN-3344...

SEN-3386...



Applications

- Plant and equipment manufacturing
- Process engineering
- Apparatus engineering
- Development and laboratory

Technical Data

Technology: flush diaphragm
 Pressure type: gauge pressure
 Housing: stainless steel 1.4301
 Fitting: G 1/2 male
 Wetted parts: stainless steel 1.4571, NBR
 Sensor: thin-film
 Max. temperature: storage: -40...+100 °C
 medium: -30...+100 °C
 ambient: -20...+80 °C
 Pressure limitation: 2 x range, vacuum-tight
 Accuracy class: 0.25 or 0.5
 Repeatability: ≤ ± 0.05 % (f.s.d.)
 Stability (annual): ≤ ± 0.2 % (f.s.d.) under reference conditions
 Electrical connection: plug DIN 43 650
 Power supply: 10...30 V_{DC}
 (14...30 V_{DC} for output 0 - 10 V_{DC})
 Output: 4 - 20 mA (2-wire), 0 - 5 V_{DC},
 0 - 10 V_{DC}
 Load (Ω): ≤ (U_B - 12 V)/0.02 A (for 4 - 20 mA)
 > 5 kΩ for 0 - 5 V_{DC}
 > 10 kΩ by 0 - 10 V_{DC}
 Response time: ≤ 1 ms
 (within 10 - 90 % of full scale)
 Adjustability: zero point and measuring span
 ± 5 %
 Temp. comp. range: 0...+80 °C
 Temperature drift: zero point and span ± 0.2 %/10 K
 Protection: IP 65

Order Details Sensor (Example: SEN-3344 A105)

Measuring range	Order no. Gauge pressure class 0.25 4 - 20 mA	Order no. Gauge pressure class 0.25 0 - 10 V _{DC}	Order no. Gauge pressure class 0.5 4 - 20 mA	Order no. Gauge pressure class 0.5 0 - 5 V _{DC}	Order no. Gauge pressure class 0.5 0 - 10 V _{DC}
0 to 40 bar	SEN-3344 A105	SEN-3344/2 A105	SEN-3386 A105	SEN-3386/1 A105	SEN-3386/2 A105
0 to 60 bar	SEN-3344 A115	SEN-3344/2 A115	SEN-3386 A115	SEN-3386/1 A115	SEN-3386/2 A115
0 to 100 bar	SEN-3344 A125	SEN-3344/2 A125	SEN-3386 A125	SEN-3386/1 A125	SEN-3386/2 A125
0 to 160 bar	SEN-3344 A135	SEN-3344/2 A135	SEN-3386 A135	SEN-3386/1 A135	SEN-3386/2 A135
0 to 250 bar	SEN-3344 A145	SEN-3344/2 A145	SEN-3386 A145	SEN-3386/1 A145	SEN-3386/2 A145
0 to 400 bar	SEN-3344 A155	SEN-3344/2 A155	SEN-3386 A155	SEN-3386/1 A155	SEN-3386/2 A155
0 to 600 bar	SEN-3344 A165	SEN-3344/2 A165	SEN-3386 A165	SEN-3386/1 A165	SEN-3386/2 A165

Accessory

Weld on Adapter for flush diaphragm transducer

Connection	Model
G 1/2	MZB-ESA R15