



Pressure Transducer Heavy Duty Compact Thinfilm Technology



measuring
•
monitoring
•
analysing



- Gauge pressure
- Internal diaphragm
- Measuring range:
0...25 to 0...1000 bar
- Temperature (medium):
max. 100 °C
- Accuracy class:
0.5 or 1.0
- Material:
Stainless steel
- Connection: G 1/4 male



KOBOLD companies worldwide:

ARGENTINA, AUSTRIA, BELGIUM, CANADA, CHILE, CHINA, COLOMBIA,
CZECHIA, FRANCE, GERMANY, GREAT BRITAIN, INDIA, IRAN, INDONESIA,
ITALY, MALAYSIA, MEXICO, NETHERLANDS, PERU, POLAND, SINGAPORE,
SLOVAKIA, SPAIN, SWITZERLAND, THAILAND, USA, VENEZUELA, VIETNAM

KOBOLD Messring GmbH
Nordring 22-24
D-65719 Hofheim/Ts.
☎ +49(0)6192 299-0
☎ +49(0)6192 23398
E-Mail: info.de@kobold.com
Internet: www.kobold.com

Model:
SEN-3349
SEN-3373



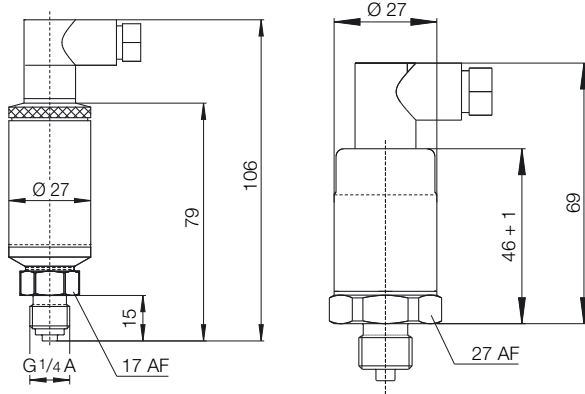
Description

Industrial Heavy Duty Compact pressure sensors are leaders among the pressure transducers. Compact, accurate, rugged with long-term stability, they reliably perform industrial pressure measurement jobs in the production, development and laboratory sectors. The compact construction with the 1/4" BSP male pressure connection permits a space-saving and lightweight installation. As a measuring element, a thinfilm sensor will be used. The materials utilized render these pressure sensors insensitive to chemically aggressive media.

Dimensions

SEN-3349..

SEN-3373



Areas of application

- Pneumatic systems
- Machine eng.
- Hydraulic systems
- Handling system
- Lifting equ.

Technical Data

Technology: internal diaphragm
 Pressure: gauge pressure
 Housing: stainless steel 1.4301
 Fitting: G 1/4 male thread acc. to DIN 16288
 Wetted parts: stainless steel 1.4571 and 1.4542
 Sensor: thin-film
 Max. temperature: storage: - 40...+100 °C
 medium: - 30...+100 °C
 ambient: - 40...+85 °C
 Pressure limitation: ≤ 16 bar: 3.5 x range
 ≤ 600 bar: 2 x range,
 > 600 bar: 1.5 x range,
 vacuum-tight
 Accuracy class: 0.5 or 1.0
 Repeatability: ≤ ± 0.05 % (f.s.d.)
 Stability per year: ≤ ± 0.2 % (f.s.d.) under
 reference conditions
 Electr. connection: connector DIN 43 650 C
 mini Hirschmann plug
 G4a1 MMT (type 3373)
 Power supply: 12...30 V_{DC}
 (14...30 V_{DC} for output 0 - 10 V)
 Output: 4 - 20 mA (2-wire), 0 - 10 V_{DC}
 Load (Ω): ≤ (U_B - 10V)/0.02 A (for 4 - 20 mA)
 > 10 kΩ for 0 - 10 V
 Response time: ≤ 1 ms (within 10 - 90 % of full scale)
 Adjustability: zero point and span to ± 5 %
 (only for SEN-3349...)
 Temp. comp. range: 0...+80 °C
 Temperature Drift: zero point and span
 ± 0.3 % / 10 K
 Protection: IP 65

Order Details Sensor (Example: SEN-3349 A105)

Measuring range	Order no. Gauge pressure class 0.5 4 - 20 mA	Order no. Gauge pressure class 0.5 0 - 10 V _{DC}	Order no. Gauge pressure class 1.0 4 - 20 mA	Order no. Gauge pressure class 1.0 0 - 10 V _{DC}
0 to 40 bar	SEN-3349 A105	SEN-3349/1 A105	SEN-3373 A105	SEN-3373/1 A105
0 to 60 bar	SEN-3349 A115	SEN-3349/1 A115	SEN-3373 A115	SEN-3373/1 A115
0 to 100 bar	SEN-3349 A125	SEN-3349/1 A125	SEN-3373 A125	SEN-3373/1 A125
0 to 160 bar	SEN-3349 A135	SEN-3349/1 A135	SEN-3373 A135	SEN-3373/1 A135
0 to 250 bar	SEN-3349 A145	SEN-3349/1 A145	SEN-3373 A145	SEN-3373/1 A145
0 to 400 bar	SEN-3349 A155	SEN-3349/1 A155	SEN-3373 A155	SEN-3373/1 A155
0 to 600 bar	SEN-3349 A165	SEN-3349/1 A165	SEN-3373 A165	SEN-3373/1 A165
0 to 1000 bar	SEN-3349 A175	SEN-3349/1 A175	SEN-3373 A175	SEN-3373/1 A175