



Pressure Transducer Heavy Duty Industrial Thinfilm



measuring
•
monitoring
•
analysing

Option:
Pluggable
Sandwich
Display
Model AUF



- Gauge pressure
- Internal diaphragm
- Measuring range:
0...25 to 0...1000 bar
- Temperature (medium):
max. 100 °C
- Accuracy class:
0.25 or 0.5
- Material:
stainless steel
- Connection: G 1/2 male



KOBOLD companies worldwide:

ARGENTINA, AUSTRIA, BELGIUM, CANADA, CHILE, CHINA, COLOMBIA,
CZECHIA, FRANCE, GERMANY, GREAT BRITAIN, INDIA, IRAN, INDONESIA,
ITALY, MALAYSIA, MEXICO, NETHERLANDS, PERU, POLAND, SINGAPORE,
SLOVAKIA, SPAIN, SWITZERLAND, THAILAND, USA, VENEZUELA, VIETNAM

KOBOLD Messring GmbH
Nordring 22-24
D-65719 Hofheim/Ts.
☎ +49(0)6192 299-0
Fax +49(0)6192 23398
E-Mail: info.de@kobold.com
Internet: www.kobold.com

Model:
SEN-3376
SEN-3377



Description

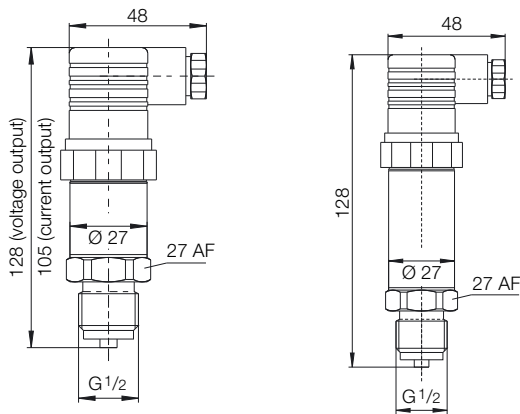
The Heavy Duty Industrial pressure transducers are the leaders among the pressure transducers. The thin-film technology of the sensor element fulfil the most demanding requirements.

Case and wetted parts are stainless steel. Therefore they are extremely resistant against aggressive process fluids. The sensor is uneffected by shock or vibration. Two adjustment potentiometers permits the use of these pressure transducers in most difficult applications like measurement of the hydrostatic column.

Dimensions

SEN-3376...

SEN-3377...



Applications

- Process engineering
- Hydraulic engineering
- Apparatus engineering
- Development and laboratory
- Pneumatic

Technical Data

- Technology: internal diaphragm
- Pressure type: gauge pressure
- Housing: stainless steel 1.4301
- Connection: G 1/2 male thread acc. to DIN 16288
- Wetted parts: stainless steel 1.4571 and 1.4542
- Sensor: thin-film
- Max. Temperature: storage: -40...+100°C
medium: -30...+100°C
ambient: -20...+80°C
- Pressure limitation: ≤ 16 bar: 3.5 x range
≤ 600 bar: 2 x range,
> 600 bar: 1.5 x range, vacuum-tight
- Accuracy class: 0.25 or 0.5
- Repeatability: ≤ ±0.05% (f.s.d.)
- Stability per year: ≤ ±0.2% of full scale under reference conditions
- Electr. connection: connector DIN 43 650
- Power supply: 10...30 V_{DC}
(14...30 V_{DC} for output 0 - 10 V)
- Output: 4 - 20 mA (2-wire), 0 - 5 V_{DC},
0 - 10 V_{DC}
- Load (Ω): ≤ (U_B - 10V) / 0.02 A (for 4 - 20 mA)
> 5 kΩ for 0 - 5 V
> 10 kΩ for 0 - 10 V
- Response time: ≤ 1 ms (within 10 - 90% of full scale)
- Adjustability range: zero point and span ±5%
- Temp. comp. range: 0...+80°C
- Temperature drift: zero point and span
±0.2% / 10 K
- Protection: IP 65

Order Details Sensor (Example: SEN-3376 A105)

Measuring range	Order no. Gauge pressure class 0.5 4 - 20 mA	Order no. Gauge pressure class 0.5 0 - 5 V _{DC}	Order no. Gauge pressure class 0.5 0 - 10 V _{DC}	Order no. Gauge pressure class 0.25 4 - 20 mA	Order no. Gauge pressure class 0.25 0 - 5 V _{DC}	Order no. Gauge pressure class 0.25 0 - 10 V _{DC}
0 to 40 bar	SEN-3376 A105	SEN-3376/1 A105	SEN-3376/2 A105	SEN-3377 A105	SEN-3377/1 A105	SEN-3377/2 A105
0 to 60 bar	SEN-3376 A115	SEN-3376/1 A115	SEN-3376/2 A115	SEN-3377 A115	SEN-3377/1 A115	SEN-3377/2 A115
0 to 100 bar	SEN-3376 A125	SEN-3376/1 A125	SEN-3376/2 A125	SEN-3377 A125	SEN-3377/1 A125	SEN-3377/2 A125
0 to 160 bar	SEN-3376 A135	SEN-3376/1 A135	SEN-3376/2 A135	SEN-3377 A135	SEN-3377/1 A135	SEN-3377/2 A135
0 to 250 bar	SEN-3376 A145	SEN-3376/1 A145	SEN-3376/2 A145	SEN-3377 A145	SEN-3377/1 A145	SEN-3377/2 A145
0 to 400 bar	SEN-3376 A155	SEN-3376/1 A155	SEN-3376/2 A155	SEN-3377 A155	SEN-3377/1 A155	SEN-3377/2 A155
0 to 600 bar	SEN-3376 A165	SEN-3376/1 A165	SEN-3376/2 A165	SEN-3377 A165	SEN-3377/1 A165	SEN-3377/2 A165
0 to 1000 bar	SEN-3376 A175	SEN-3376/1 A175	SEN-3376/2 A175	SEN-3377 A175	SEN-3377/1 A175	SEN-3377/2 A175