

Model: PDL-0...



- Switching range:
0.1...1 to 60...600 bar
- Temperature:
max. 80 °C
- Repeatability:
1 % of F.S.
- Material: Brass
- Connection:
G 1/4, 1/4 NPT

Model: PDL-1...



KOBOLD companies worldwide:

ARGENTINA, AUSTRIA, BELGIUM, CANADA, CHILE, CHINA, COLOMBIA,
CZECHIA, FRANCE, GERMANY, GREAT BRITAIN, INDIA, IRAN, INDONESIA,
ITALY, MALAYSIA, MEXICO, NETHERLANDS, PERU, POLAND, SINGAPORE,
SLOVAKIA, SPAIN, SWITZERLAND, THAILAND, USA, VENEZUELA, VIETNAM

KOBOLD Messring GmbH
Nordring 22-24
D-65719 Hofheim/Ts.
☎ +49(0)6192 299-0
Fax +49(0)6192 23398
E-Mail: info.de@kobold.com
Internet: www.kobold.com

Model:
PDL



Description

KOBOLD pressure meter/-monitor of model PDL are economical electronic pressure switches. The switch output can be adjusted on-site with an adjusting screw.

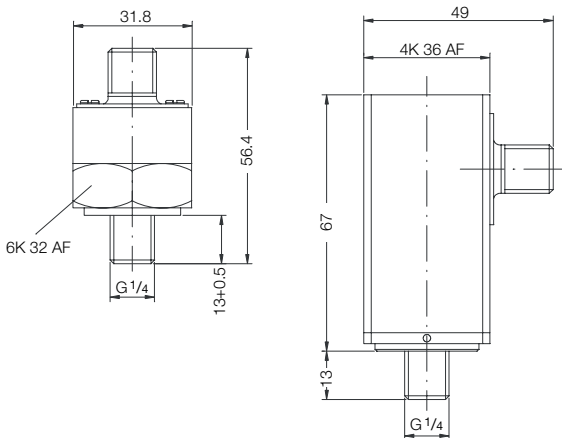
With help of an elastic spring measuring element and by usage of Hall effect, up to 2 switching outputs can be generated for a given pressure. The switching outputs can be delivered optionally with N/O or N/C function.

The small robust construction and different pressure connections make it an ideal unit for serial usage.

Dimensions

Model: PDL-0...

Model: PDL-1...



Applications

- Hydraulic and fluid systems
- Machinery industrie
- Machine Construction
- Refrigeration

Technical Data

- Housing: PDL-0...: brass
PDL-1...: aluminium, anodised
- Upper part: plastic
- Connections: standard: G 1/4 male, brass
option: 1/4 NPT, brass
others on client request
- Measuring element: PDL-0...:
capsule element, copper alloy
PDL-1...:
spiral spring, st. steel 1.4571
- Max. temperature: store: -30...+80 °C
medium: -20...+80 °C
environment: -20...+80 °C
- Temperature comp. Range: 0...80 °C
- Temperature influence: 0.4% / 10K
- Overload limit: ≤ 10 bar: 4 times
≥ 16 bar: 2 times
- Load change: 1x10⁶
- Electrical connection: plug M12 x 1 (4-pole)
option: 1.5 m cable
- Switching function: N/C ou N/O, p-switching
- Adjustability: 10...100% of F.S.
- Switch point adjustment: with help of adjusting screw
- Repeatability: < 1% of F.S.
- Switching hysteresis: ≤ 5% of F.S.,
≤ 10% of F.S. at 16 and 25 bar
- Power supply: 10...30 V_{DC}
- Power rating: max. 100 mA (max. 30 V_{DC})
- Protection cat.: IP 65 (IP 67 by cable output)

Order Details (Example: PDL-0131 R2 B025)

| Model | Description | Output | Connection | switch point [bar] | |
|--------|--|--|---------------------------------|---|--|
| | | | | increasing pressure | switch back point [bar] decreasing pressure |
| PDL-01 | Electronic pressure switch Brass housing with plug M12x1 | 31 = 1 N/O contact 32 = 2 N/O contacts 33 = 1 N/C contact 34 = 2 N/C contacts 35 = 1 N/O + 1 N/C | R2 = G 1/4 male N2 = 1/4 NPT | C315 = -0.85 to 0.0 B126 = 0.005 to 0.1 B136 = 0.008 to 0.16 B146 = 0.013 to 0.25 B156 = 0.02 to 0.4 B015 = 0.03 to 0.6 B025 = 0.05 to 1 B035 = 0.08 to 1.6 B045 = 0.013 to 2.5 B055 = 0.2 to 4 B065 = 0.3 to 6 B075 = 0.5 to 10 B085 = 1.6 to 16 A095 = 2.5 to 25 | -0.9 to -0.05 0 to 0.995 0 to 0.152 0 to 0.237 0 to 0.38 0 to 0.57 0 to 0.995 0 to 1.52 0 to 2.487 0 to 3.8 0 to 5.7 0 to 9.5 0 to 14.4 0 to 22.5 |
| PDL-11 | Electronic pressure switch Aluminium housing with plug M12x1 | 31 = 1 N/O contact 32 = 2 N/O contacts 33 = 1 N/C contact 34 = 2 N/C contacts 35 = 1 N/O + 1 N/C | R2 = G 1/4 male N2 = 1/4 NPT | A115 = 3 to 60 A125 = 5 to 100 A135 = 8 to 160 A145 = 13 to 250 A155 = 20 to 400 A165 = 30 to 600 | 0 to 57 0 to 95 0 to 152 0 to 237 0 to 380 0 to 570 |