




Plug-On Display for Transmitters · Option: Limit Contact, Ex-Version



measuring
·
monitoring
·
analysing

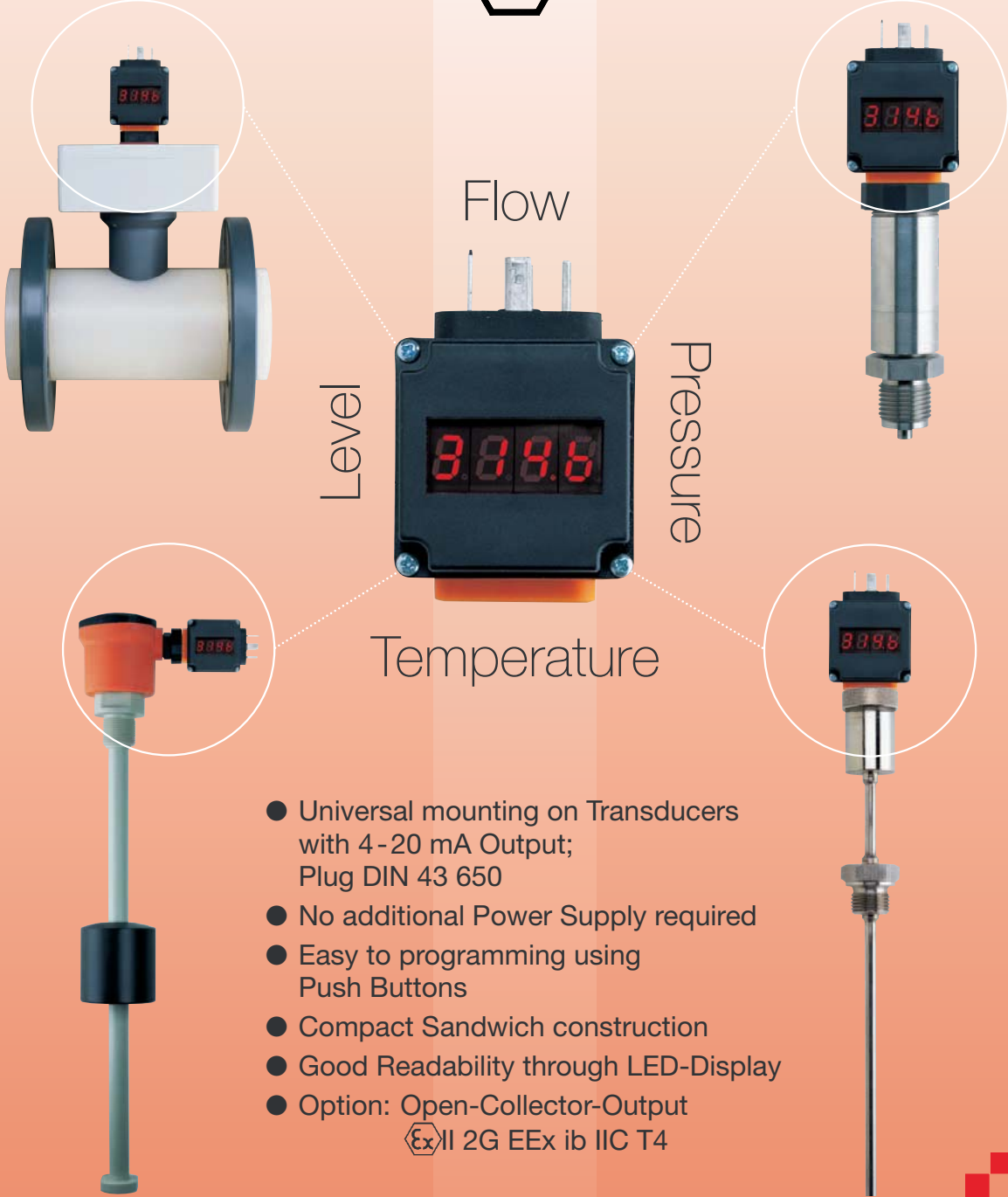


Flow

Level

Pressure

Temperature



- Universal mounting on Transducers with 4 - 20 mA Output; Plug DIN 43 650
- No additional Power Supply required
- Easy to programming using Push Buttons
- Compact Sandwich construction
- Good Readability through LED-Display
- Option: Open-Collector-Output

⊕ Ex II 2G EEx ib IIC T4

T2

KOBOLD companies worldwide:

ARGENTINA, AUSTRIA, BELGIUM, CANADA, CHILE, CHINA, COLOMBIA, CZECHIA, FRANCE, GERMANY, GREAT BRITAIN, INDIA, IRAN, INDONESIA, ITALY, MALAYSIA, MEXICO, NETHERLANDS, PERU, POLAND, SINGAPORE, SLOVAKIA, SPAIN, SWITZERLAND, THAILAND, USA, VENEZUELA, VIETNAM

KOBOLD Messring GmbH
Nordring 22-24
D-65719 Hofheim/Ts.
☎ +49(0)6192 299-0
Fax +49(0)6192 23398
E-Mail: info.de@kobold.com
Internet: www.kobold.com

Model:
AUF...

Description

The model AUF-... plug-on display is a universal local display suitable for use with various transmitters. The transmitter must be fitted with an analogue output and a connector in accordance with DIN 43 650. Model AUF-2000 can be delivered for use in hazardous areas.

The plug-on display is simply plugged in between connector and socket; it is then ready for operation. The plug-on display is user programmable. Scaling, the position of the decimal point, gate time and switch point (optional) may be set with two keys. The menu steps are output to the LED display field.

The plug-on display is supplied by the current loop of the 4 - 20 mA signal transmitter. No additional auxiliary power is required. The programmed parameters are stored in an EEPROM; they are therefore not lost after power failure. Over or under range are displayed as a message on the LED display.

All device functions are continuously monitored by an integral diagnostic system. The indicating unit can be rotated in 90° steps; it can thus be adapted to different installation positions.

The integral open-collector output, available as an option, allows a transmitter to be retrofitted easily with a limit contact.



Technical Details

- Display: 4-digit red LED display, digit height: 7.62 mm programmable decimal point setting
- Indicating range: -1999...9999
- Accuracy: 0.2% of span ± 1 digit
- Electrical connection: to transmitters with 4 - 20 mA output and plug acc. DIN 43 650, polarized
- Sensor supply: not required, loop-powered 24 V_{DC} ± 20% (only AUF-4000)
- Voltage drop: ≤ 5 V (acc. to max. load 250 Ω)
- Conversion rate: 3 measurements/second
- Gate time: 0.3 - 20 s (adjustable)
- Data back-up: non-volatile EEPROM
- Error message: HI: overrange LO: underflow
- Programming: with two keys, menu-assisted, scaling of indication, decimal point, gate time, error message switch point (AUF-1001)
- Protection: IP 65
- Temperature influence on display: 0.1% / 10 K
- Storage temperature: -30...+80 °C

Technical Data AUF-1.../AUF-3...

- Max. current load: max. 60 mA
- Case material: plastic PA6 GF30, orange window: PMMA red
- Ambient temperature: 0...+60 °C
- Open Collector: model AUF-1001, PNP, max. current load 90 mA

Technical Data AUF-2000

- Conformance: DMT 99 ATEX E 077
- Ex-protection: Ex II 2G EEx ib IIC T4
- Voltage: U_i 28 V_{DC}
- Current: I_i 100 mA
- Power: P_i 0,9 W
- Effective inner capacitance C_i negligible
- Effective inner inductance L_i negligible
- Housing material: polyamide compound, black window: PMMA, red
- Ambient temperature: -20...+40 °C

Order Details

| Model | Description |
|----------|--|
| AUF-1000 | Standard plug-on display, 4 - 20 mA, 2-wire |
| AUF-1001 | Plug-on display with Open Collector, 4 - 20 mA, 2-wire |
| AUF-2000 | Plug-on display Ex II 2G EEx ib IIC T4, 4 - 20 mA, 2-wire |
| AUF-3000 | Plug-on display, 4 - 20 mA, 3-wire |
| AUF-4000 | Plug-on display, Input: pulse, output: 4 - 20 mA |

Scope of supply

Plug-on display, silicone flat gasket ring, fixing screw, operating instruction, stickers with physical units.

T2

Application Examples

Flow



- Calorimetric flow meter
- Turbine flow meter with analogue output
- Vortex flow meter

Pressure



- Pressure sensors
- Manometer with analogue output

Level



- Level transmitter
- Bypass level indicator with transmitter

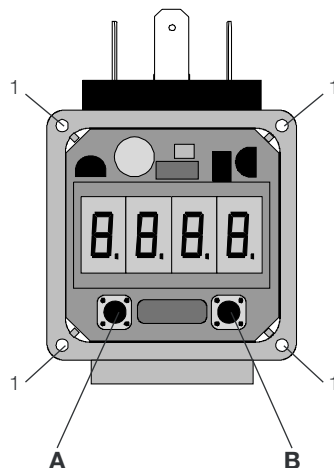
Temperature



- Temperature sensors with head mounted transmitter

Adjustment

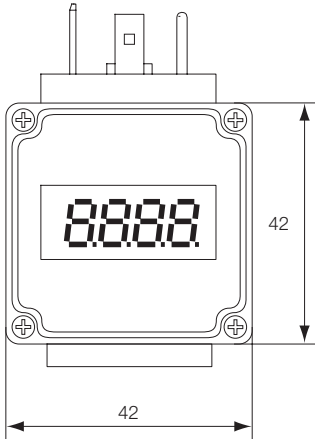
For adjustment, the 4 screws (1) of the display should be unscrewed and the cover removed.



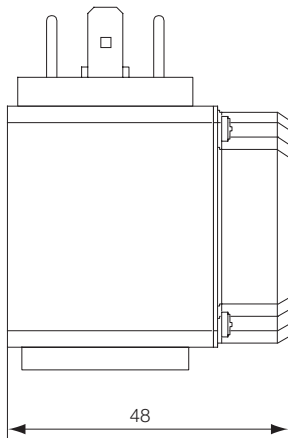
- Simple programming through keys A and B
- Free scaling of display value
- Software oriented adjustment of the decimal point
- Adjustable gate time of the display
- Recognition of overranging
- Freely programmable set-point adjustment (option)

Dimensions

Front view

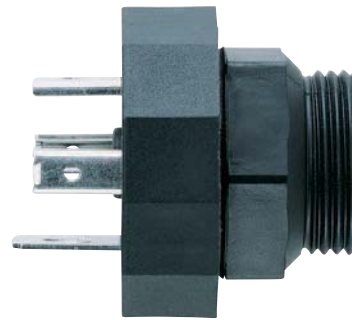


Side view



Accessory

For mounting of the plug-on display on devices with PG-connection, different adapters are available. The adapter is simply screwed in the existing PG-cable gland and wired to the device. At the opposite side of the adapter, is a plug according to DN 43650, on which the sandwich display can be simply plugged on.



Ordering Details

| Ordering data | Description |
|---------------|--------------------------------------|
| AUF-PG11 | for fitting in a PG-11 cable gland |
| AUF-PG13 | for fitting in a PG-13.5 cable gland |
| AUF-PG16 | for fitting in a PG-16 cable gland |

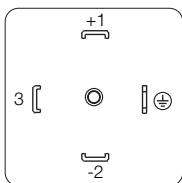
Further options for OEM applications

(on request)

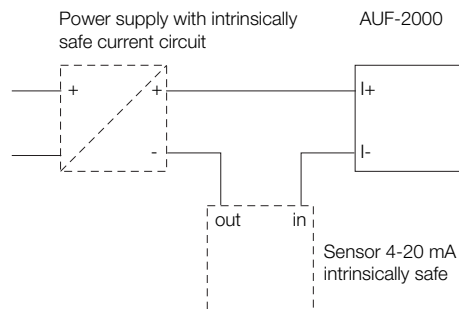
- Generic version
- Housing black or blue
- Company logo
- Client-specific adjustment
- Client-specific switching hysteresis

By Usage of model AUF-2000 in hazardous areas, an intrinsically safe current power supply transmitter should be used and being rectified with the electrical data of the connected sensor.

Electrical connection



| | AUF-1000 AUF-2000 | AUF-1001 | AUF-3000 AUF-4000 |
|--------------|----------------------|---------------------|----------------------|
| PIN 1 | +V _S /S+ | +V _S /S+ | +V _S |
| PIN 2 | GND/S- | GND/S- | GND |
| PIN 3 | - | Switch out | Signal |



T2